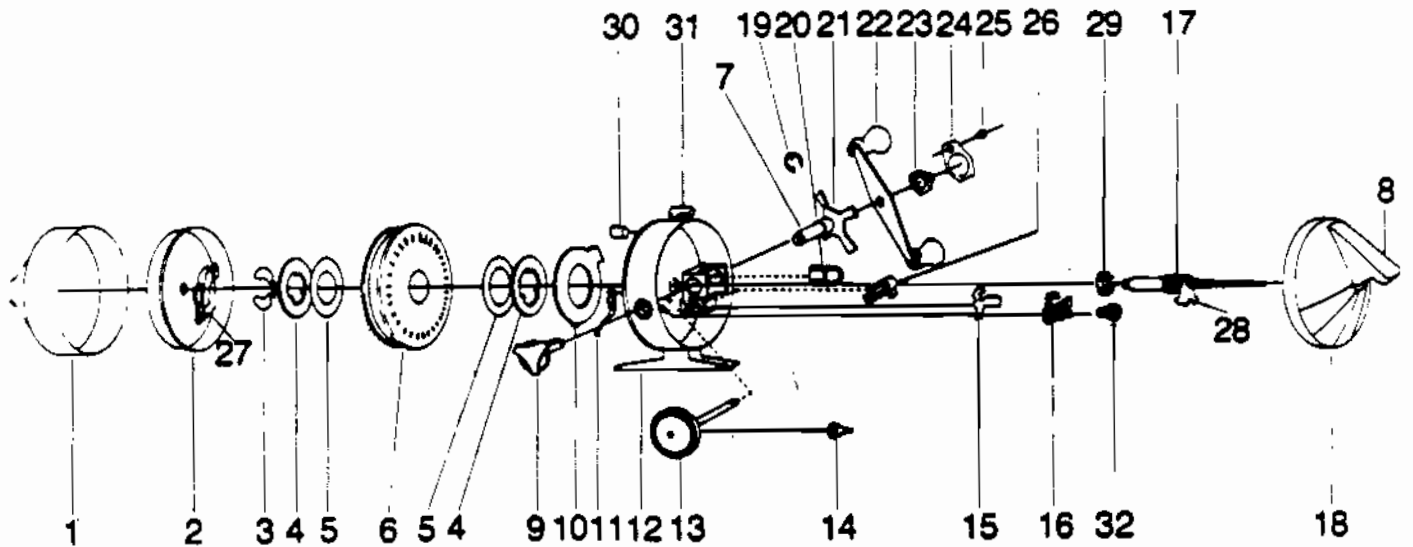


# ZEBCO CGC1



Key No.	Part No.	Description
1	KZ324-3	FRONT COVER ASSY.
2	KZ310	SPINNER HEAD S/A
3	RY034-1	SPOOL RETAINER CLIP
4	CJ040-1	SPOOL WASHER (METAL)
5	CJ108-1	FLAT WASHER
6	KZ321-14H	WOUND SPOOL W/14# MONO HP
7	KY026-5	CRANK BUSHING
8	ME309	THUMB BRAKE
9	KZ019	BAIT ALERT KNB
10	KZ027	CLUTCH RING
11	RY033	RATCHET SPRING
12	KZ301-3	BODY S/A
13	KY308-2	CRANK SHAFT ASSY.
14	JY061	PAWL ACTUATOR
15	KZ060	ACTUATOR PAWL
16	KZ014	BAIT CLICKER
17	KZ315-3	CENTER SHAFT ASSY.
18	KZ323-3	BACK COVER ASSY.
19	JY121	RETAINER CLIP
20	KZ054	DRAG ACTUATOR SLIDE
21	KZ032	DRAG STAR
22	ME318-2	HANDLE ASSY.
23	VY003	CRANK NUT
24	VY056	NUT LOCK
25	VY057	SCREW
26	RY002	ANTI-REVERSE KNOB

WWW.REELDR.COM

Key No.	Part No.	Description
27	JY049	PICKUP PIN ARM SPRING
28	KZ065	ACTUATOR
29	AZ028	BALL BEARING
30	KZ169	SPOOL LOCK PLUNGER
31	KZ164	SPOOL LOCK LEVER
32	KZ086	DRIVE STUD

Prices subject to change without notice. Prices do not include postage and handling.

**PLEASE ORDER BY PART NUMBER**

Rev. 5/93

Zebco Division Brunswick Corporation, Box 270, Tulsa, OK 74101 USA 918-836-5581

