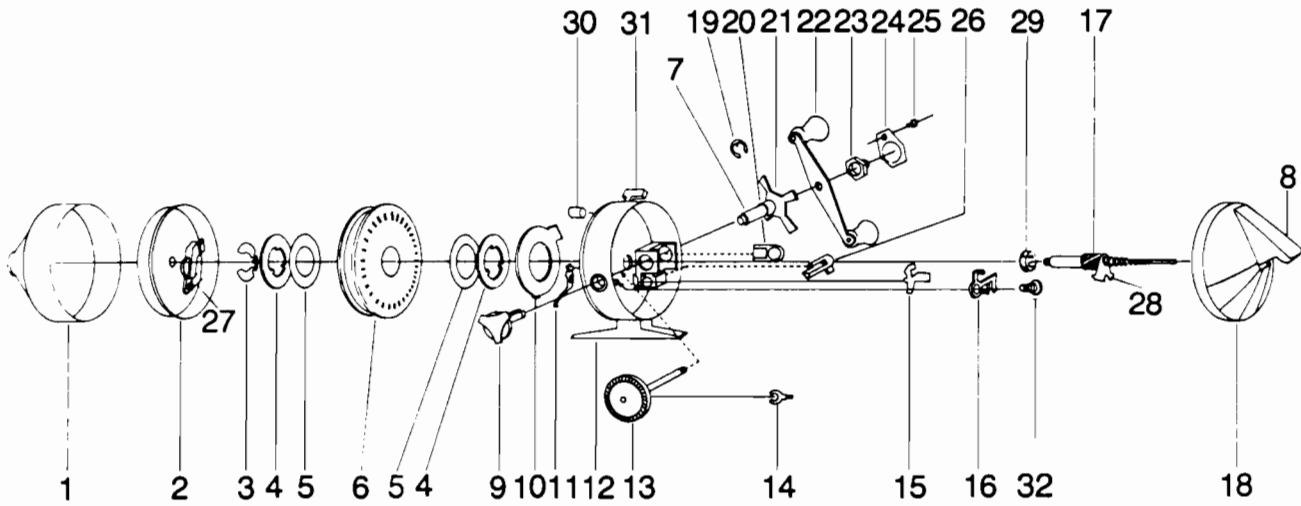


ZEBCO CGC1



KEY PART
NO. NO.

NO. NO.	DESCRIPTION
1 KZ324-3	FRONT COVER ASSY.
2 KZ310	SPINNER HEAD S/A
3 RY034	RETAINER CLIP
4 CJ040	SPOOL WASHER
5 CJ108	FLAT WASHER
6 KZ321-14H	WOUND SPOOL W/14# MOND HP
7 KY026	CRANK SHAFT BUSHING-STAR
8 ME309	THUMB BRAKE
9 KZ019	BAIT ALERT KNB
10 KZ027	CLUTCH RING
11 RY030	RATCHET SPRING
12 KZ301-2	BECK S/A
13 KY308-2	CRANK SHAFT ASSY.
14 JY061	FAWL ACTUATOR
15 KZ060	ACTUATOR FAWL
16 KZ014	BAIT CLICKER

KEY PART
NO. NO.

NO. NO.	DESCRIPTION
17 KZ315-3	CENTER SHAFT ASSY.
18 KZ323-3	BACK COVER ASSY.
19 JY121	RETAINER CLIP
20 KZ054	DRAG ACTUATOR SLIDE
21 KZ032	DRAG STAR
22 ME318-2	HANDLE ASSY.
23 VY003	CRANK NUT
24 VY056	NUT LOCK
25 VY057	SCREW
26 RY002-2	ANTI-REVERSE KNOB
27 JY049	PICKUP PIN ARM SPRING
28 KZ065	ACTUATOR
29 AZ026	BALL BEARING
30 KZ169	SPOOL LOCK PLUNGER
31 KZ164	SPOOL LOCK LEVER
32 KZ086	DRIVE STUD

WWW.REELDR.COM

Prices subject to change without notice. Prices do not include postage and handling.

PLEASE ORDER BY PART NUMBER

Rev. 9/88

Zebco Division Brunswick Corporation, Box 270, Tulsa, OK 74101 USA 918-836-5581

