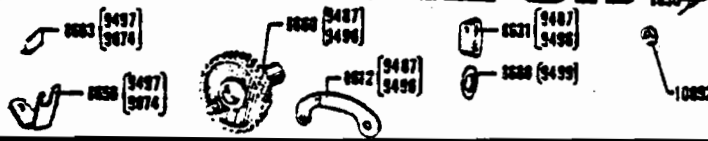
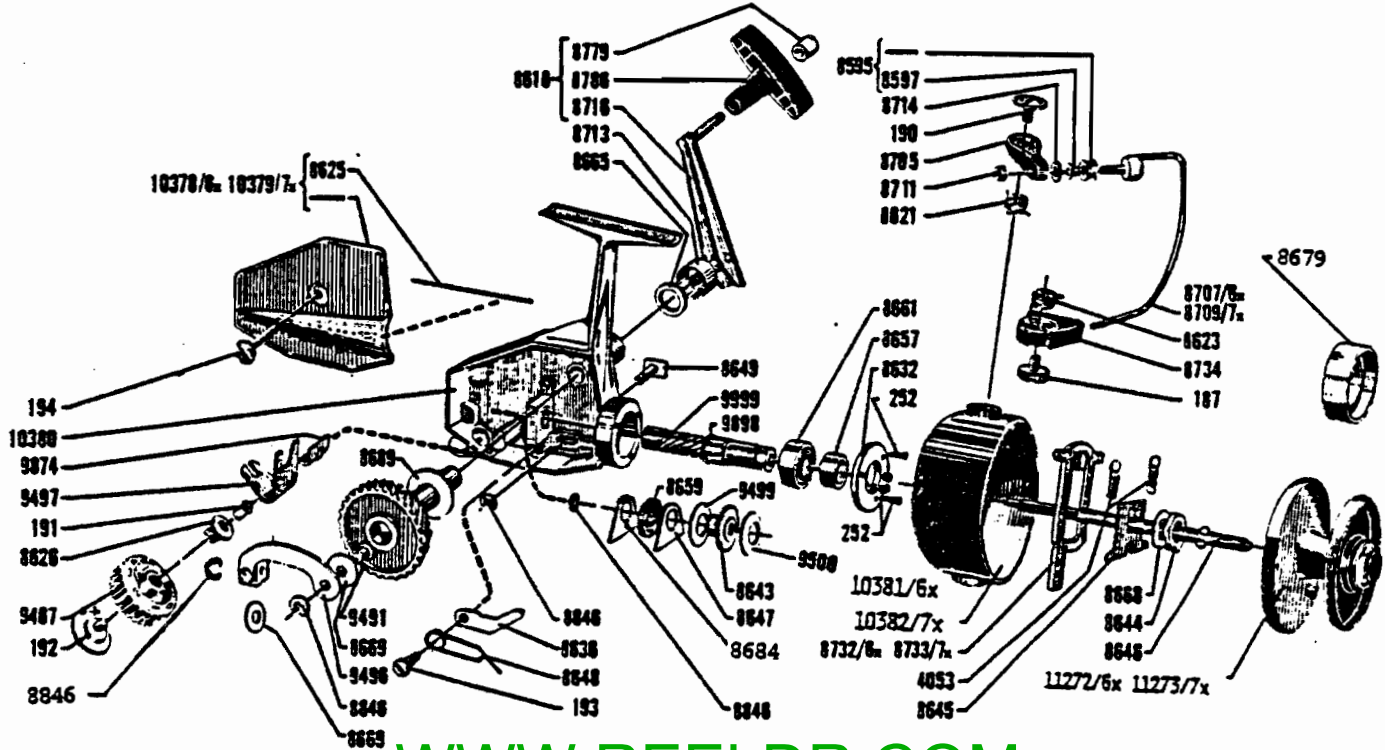


LEBLU CARDINAL OK - 7A



8630 Holder for 8612
10092 Retainer Clip



WWW.REELDR.COM

PART NO. DESCRIPTION

187	Screw
190	Screw for Bail Arm
191	Screw for Brakes Arrangement
192	Screw for Brakes Nut
193	Dist. Screw/Anti-Rev. Hook
194	Screw for Housing Plate
252	Screw
4053	Spring for Bail Stopper
8595	Line Roller & Bushing
8618	Crank Complete
8621	Bail Spring, Right
8623	Bail Spring, Left
8625	Click Spring
8626	Cashing
8632	Bail Bearing Helder
8636	Anti-Reverse Hook
8643	Click Washer
8644	Winding Cup Nut
8645	Driving Washer
8646	Main Shaft
8647	Friction Washer
8648	Stop Spring
8649	Anti-Reverse Button
8657	Distance Tube
8659	Locking Washer
8661	Bail Bearing
8665	Felt Backing
8668	Locking Washer
8669	Washer
8684	Spring Friction Washer

PART NO. DESCRIPTION

8679	Cork Arbor for Spool
8689	Spring Washer
8705	Bail Arm
8707	6x Bail
8709	7x Bail
8711	Nut For Bail
8713	Protecting Ring
8714	Protecting Washer
8716	Crank Arm
8732	6x Bail Stopper
8733	7x Bail Stopper
8734	Bail Plate
8779	Nut
8786	Handle Knob
8846	Locking Washer
9467	Brake Nut
9491	Main Gear
9496	Connecting Link
9497	Brakes Arm
9499	Friction Washer
9500	Washer
9874	Insert Support
9898	O-Ring
9999	Shaft for Worm Gear
10378	6x Housing Plate
10379	7x Housing Plate
10380	Housing
10381	6x Winding Cup
10382	7x Winding Cup
11272	6x Spool
11273	7x Spool

PLEASE ORDER BY PART NUMBER

Zebco Division Brunswick Corporation, Box 270, Tulsa OK 74101 USA 918-836-5581

