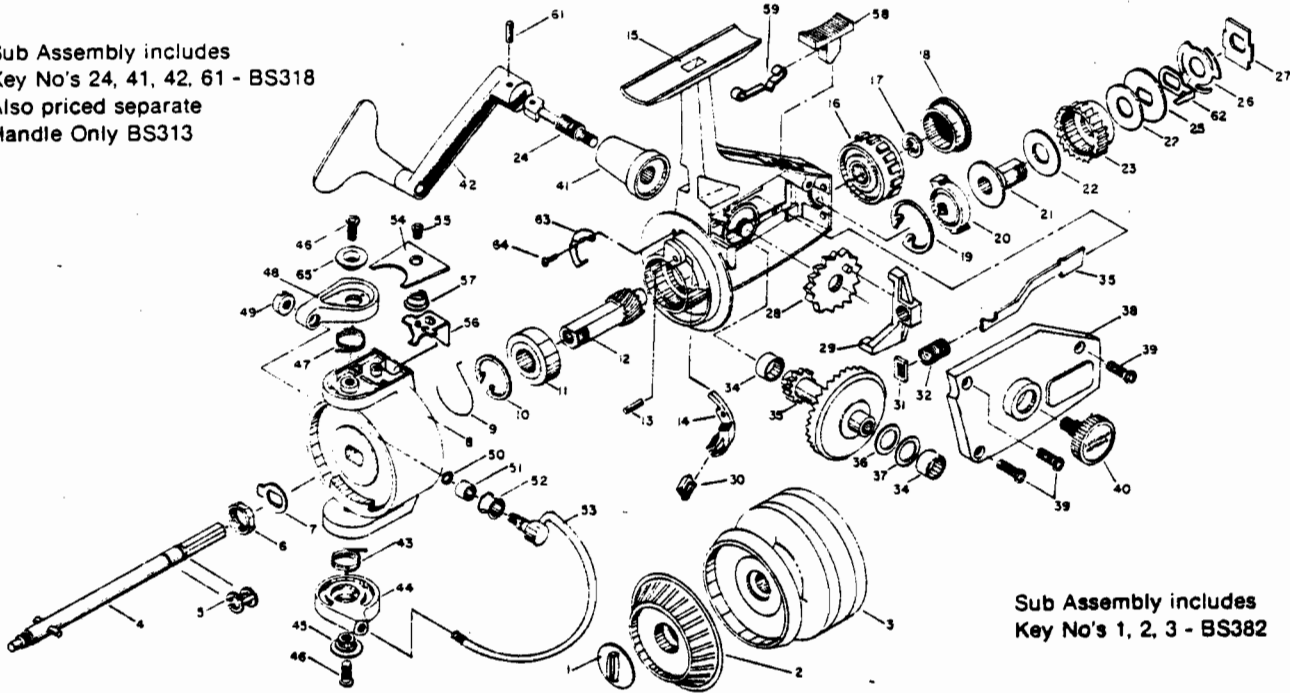


# Zebco 950L™

Sub Assembly includes  
Key No's 24, 41, 42, 61 - BS318  
Also priced separate  
Handle Only BS313



Sub Assembly includes  
Key No's 1, 2, 3 - BS382

Part No.	Description	Key No.	Part No.	Description
1	EO67	36	EO26	Crank Gear Shim
2	GO350	37	EO92	Crank Gear Shim
4	EO315	38	BS323	Side Plate Assembly
5	EO78	39	EO57	Side Plate Screw
6	EO6	40	EO54	Handle Retainer Screw
7	AS65	41	EO58	Handle Collar
8	BS309	42	BS313	Handle Retainer
9	AS61		BS318	Crank Handle
10	AS40			Crank Handle Assembly (Key No's. 24, 41, 42, 61)
11	AS28	43	EO49	Bail Return Spring 'B'
12	BS11	44	AS17	Bail Arm 'B'
13	AS99	45	EO48	Bail Retainer Washer
14	AS63	46	EO51	Bail Retainer Screw 'A'
15	BS301	47	AS44	Bail Return Spring 'A'
16	EO332	48	AS7	Bail Arm 'A'
17	EO70	49	EO14	Bail Retainer Nut
18	EO71	50	EO102	Bail Axle Washer
19	EO36	51	EO16	Line Roller Bushing
20	EO66	52	EO4	Line Roller
21	EO34	53	BS310	Bail Axle Assembly
22	EO39	54	AS87	Bail Latch Cover
23	EO38	55	AS85	Bail Latch Cover Screw
24	EO2	56	AS19	Bail Trip Lever
25	EO30	57	AS22	Bail Actuator Spring
26	EO31	58	AS59	Anti-reverse Knob
27	EO45	59	EO69	Anti-reverse Knob Retainer
28	EO53	60	BS321	Spool - Sub Assembly (Key No's 1, 2, 3)
29	EO25			Pin
	AS107	61	EO62	Click Spring
	AS91	62	EO68	Trip Ramp Spring
32	AS89	63	AS86	Screw
33	AS90	64	AS80	Bail Retainer Washer 'B'
34	EO27	65	EO115	
35	BS308			