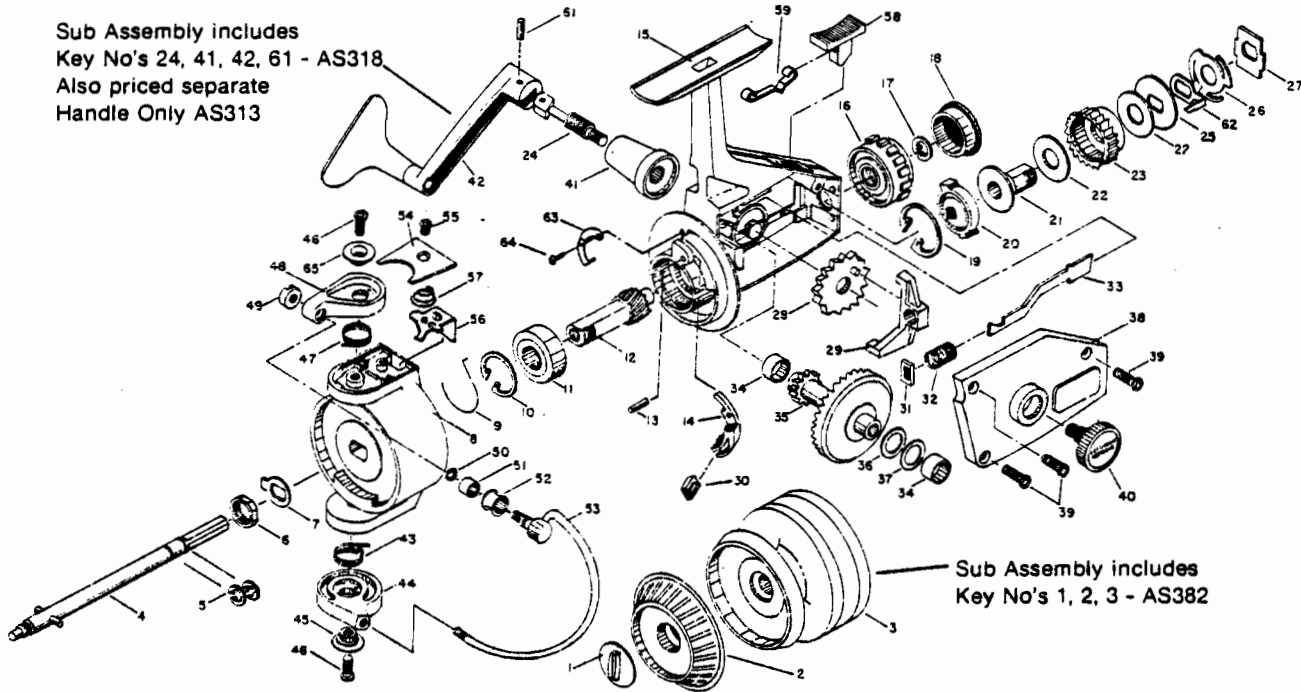


Zebco 940XL™

Sub Assembly includes
Key No's 24, 41, 42, 61 - AS318
Also priced separate
Handle Only AS313



Sub Assembly includes
Key No's 1, 2, 3 - AS382

No.	Part No.	Description	Key No.	Part No.	Description
1	EO67	Spool Cap Retainer Knob	36	EO26	Crank Gear Shim 'A'
2	EO350	Spool Retainer Knob Assy.	37	EO92	Crank Gear Shim
4	EO315	Center Shaft Assembly	38	AS323	Side Plate Assembly
5	EO78	Center Shaft 'C' Clip	39	EO57	Side Plate Screw
6	EO6	Rotor Nut	40	EO54	Handle Retainer Screw
7	AS65	Rotor Washer	41	EO58	Handle Collar
8	AS309	Rotor	42	AS313	Crank Handle
9	AS61	Anti-reverse Pawl Spring		AS318	Crank Handle Assembly (Key No.'s 24, 41, 42, 61)
10	AS40	Bearing Retainer			Bail Return Spring 'B'
11	AS28	Bearing	43	EO49	Bail Arm 'B'
12	AS11	Pinion	44	AS17	Bail Retainer Washer
13	AS99	Anti-reverse Pawl Retainer	45	EO48	Bail Retainer Screw 'A'
14	AS63	Anti-reverse Pawl	46	EO51	Bail Return Spring 'A'
15	AS301	Body Assembly	47	AS44	Bail Arm 'A'
16	EO332	Drag Knob Assembly	48	AS7	Bail Retainer Nut
17	EO70	Rear Drag Retainer Clip	49	EO14	Bail Axle Washer
18	EO71	Drag Knob Cap	50	EO102	Line Roller Bushing
19	EO36	Front Drag Retainer Clip	51	EO16	Line Roller
20	EO66	Drag Drive	52	EO4	Bail Axle Assembly
21	EO34	Drag Adjustment Screw	53	AS310	Bail Latch Cover
22	EO39	Drag Friction Washer 'B'	54	AS87	Bail Latch Cover Screw
23	EO38	Drag Housing	55	AS85	Bail Trip Lever
24	EO2	Crank Shaft Drag	56	AS19	Bail Actuator Spring
25	EO30	Drag Friction Washer 'A'	57	AS22	Anti-reverse Knob
26	EO31	Drag Tension Spring	58	AS59	Anti-reverse Knob Retainer
27	EO45	Drag Body Washer	59	EO69	Spool - Sub Assembly (Key No's 1, 2, 3)
28	EO53	Oscillator Gear	60	AS321	Pin
29	EO25	Oscillator Slider			Click Spring
30	AS107	Anti-reverse Bumper	61	EO62	Trip Ramp Spring
31	AS91	Anti-reverse Actuator Spacer	62	EO68	Screw For Trip Ramp
32	AS89	Anti-reverse Actuator Spring	63	AS86	Bail Retainer Washer 'B'
33	AS90	Anti-reverse Actuator	64	AS80	
34	EO27	Crank Shaft Bushing	65	EO115	
35	AS303	Crank Shaft Assembly			