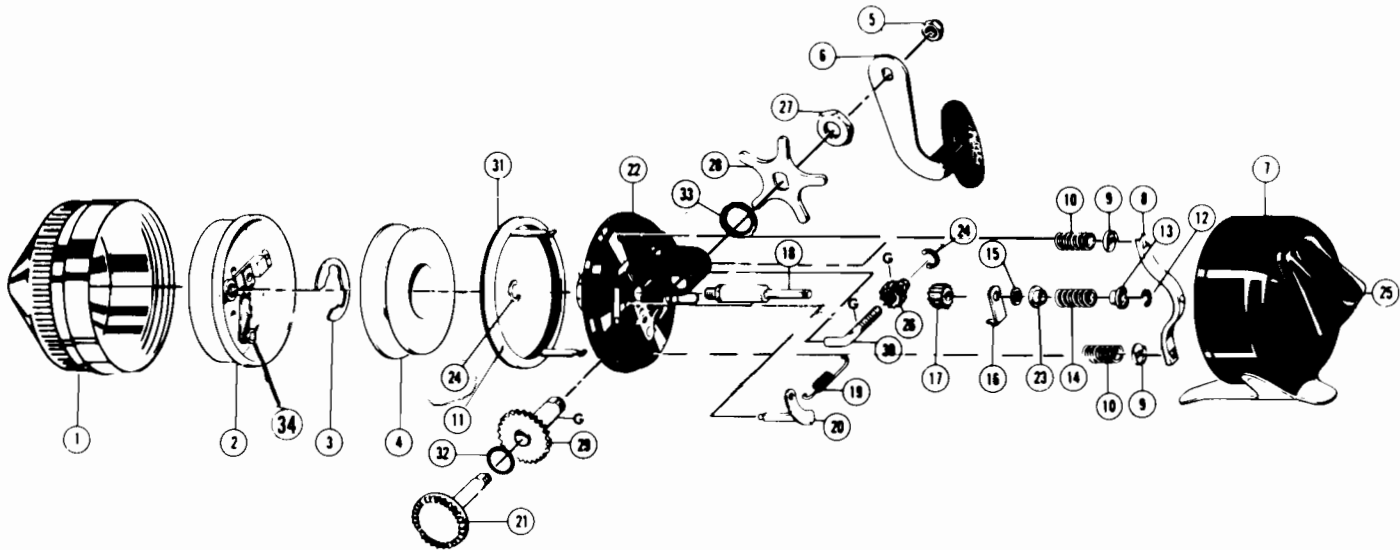


# ZEBCO 888™

weight	13.5 oz./383 g		
pound test	17	20	25
yards	140	100	75
meters	128	91	69



[WWW.REELDR.COM](http://WWW.REELDR.COM)

**MODEL 888**

Key No.	Part No.	Description	Key No.	Part No.	Description
1	PZ324	Front Cover Assy.	18	PZ015	*Center Shaft
2	PZ310	Spinner Head Assy.	19	MZ085	Clutch Spring
3	GZ034	Spool Clip	20	PZ307	Clutch Shaft Assy.
4	PZ021	Spool (Empty)	21	PY308	Crank Shaft
	PZ321-20T	Spool w/ 20# Trilene	22	PY301	Body Assembly
5	QZ003	Crank Nut (or QZ003-B)	23	PZ084	*Shaft Spacer (Bottom)
6	PY318	Crank Handle	24	PZ030	Center Shaft Ret. Clip
7	PY323	Back Cover w/Th. Brk.	25	PZ009	Thumb Stop
8	PZ031	Brake Bar	26	MZ086	Clutch Pinion
9	PZ074	Brake Ring Cap	27	PZ087	Crank Bearing Nut
10	PZ073	Brake Ring Spring	28	PY059	Star Drag
11	PZ346	Brake Ring Assy.	29	PY326	Crank Shaft Bearing
12	AZ122	*Center Shaft Clip	30	MZ032	Clutch Screw
13	PZ078	*Shaft Spacer (Top)	31	PZ053	Brake Ring (Gasket)
14	PZ020	*Center Shaft Spring	32	PZ088	Crank Shaft Washer
15	PZ068	*Center Shaft Washer	33	MZ088	O-Ring
16	PZ052	*Anti-Reverse Drag	34	PZ049	Spinner Head Spring
17	PZ011	*Pinion Gear			

\*Available as One Unit,  
PZ315 Center Shaft Assy.

**PLEASE ORDER BY PART NUMBER**

Zebco Division Brunswick Corporation, Box 270, Tulsa OK 74101 USA 918-836-5581

