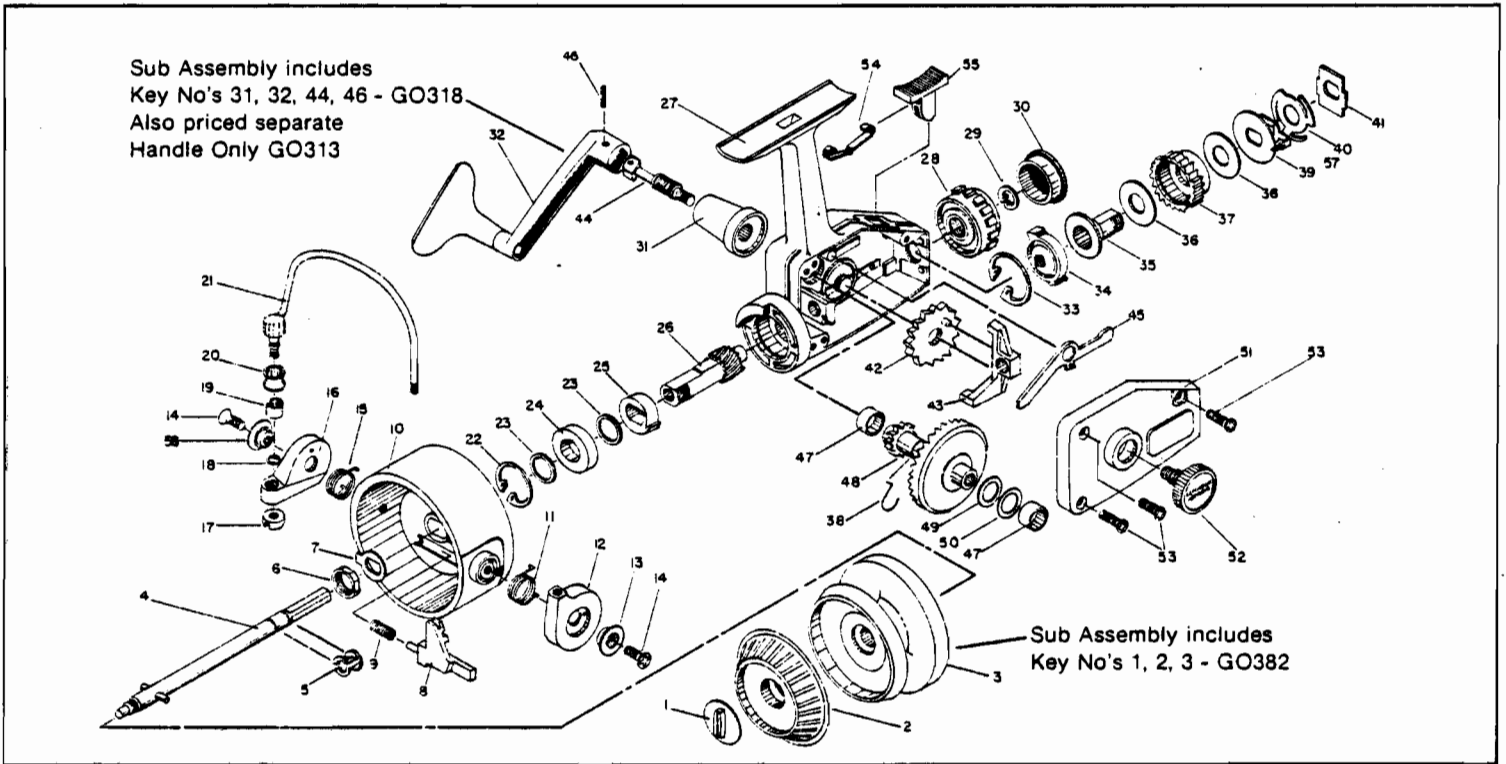


WWW.REELDR.COM
Zebco 850L™



No.	Part No.	Description	Key No.	Part No.	Description
1	EO67	Spool Cap Retainer	32	EO313	Crank Handle
2	GO350	Spool Retainer Knob Assy.		EO318	Crank Handle Assembly (Key No. 31, 32, 44, 46)
4	EO315	Center Shaft Assembly			Front Drag Retainer Clip
5	EO78	Center Shaft 'C' Clip	33	EO36	Drag Drive
6	EO6	Rotor Nut	34	EO66	Drag Adjustment Screw
7	EO65	Rotor Washer	35	EO34	Drag Friction Washer 'B'
8	GO19	Bail Trip Lever	36	EO39	Drag Housing
9	EO22	Bail Actuator Spring	37	EO38	Anti-reverse Pawl Spring
10	GO309	Rotor	38	EO61	Drag Friction Washer 'A'
11	EO49	Bail Return Spring 'B'	39	EO30	Drag Tension Spring
12	EO17	Bail Arm 'B'	40	EO31	Drag Body Washer
13	EO48	Bail Retainer Washer	41	EO45	Oscillator Gear
14	EO51	Bail Retainer Screw 'A'	42	EO53	Oscillator Slider
15	EO44	Bail Return Spring 'A'	43	EO25	Crank Shaft Drive
16	EO7	Bail Arm 'A'	44	EO2	Anti-reverse Pawl
17	EO14	Bail Retainer Nut	45	EO63	Pin
18	EO102	Bail Axle Washer	46	EO62	Crank Shaft Bushing
19	EO16	Line Roller Bushing	47	EO27	Crank Shaft Assembly
20	EO4	Line Roller	48	EO308	Crank Gear Shim
21	EO310	Bail Axle Assembly	49	EO26	Crank Gear Shim 'A'
22	EO40	Bearing Retainer	50	EO92	Side Plate Assembly
23	EO76	Pinion Thrust Washer	51	GO321	Handle Retainer Screw
24	EO28	Pinion Bearing	52	EO54	Side Plate Screw
25	EO60	Anti-Reverse Ratchet	53	EO57	Anti-reverse knob retainer
26	EO11	Pinion Gear	54	EO69	Anti-reverse knob
27	EO301	Body Assembly	55	EO59	Spool - Sub Assembly (Key No. 1, 2, 3)
28	EO332	Drag Knob Assembly	56	GO382	Click Spring
29	EO70	Rear Drag Retainer Clip	57	EO68	Bail Retainer Washer 'B'
30	EO71	Drag Knob Cap	58	EO115	
31	EO58	Handle Collar			