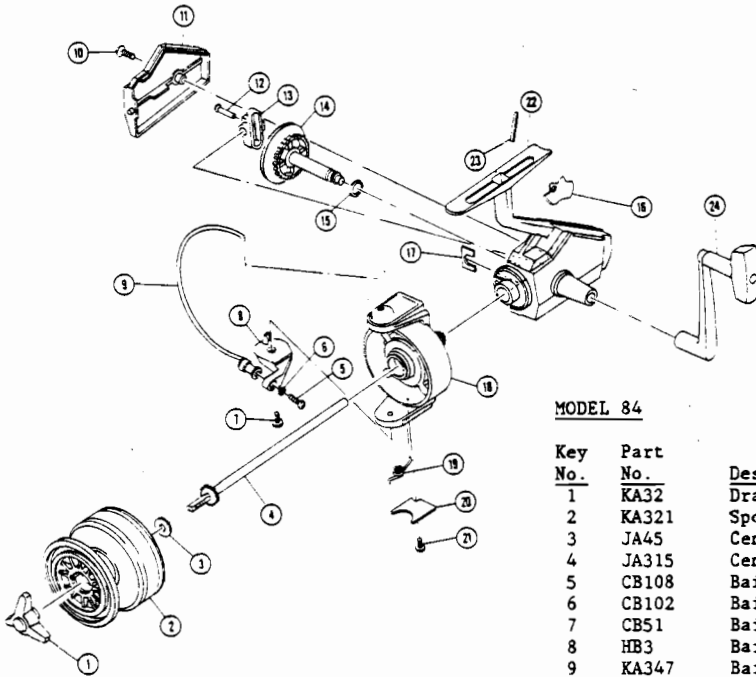


TEBCO 84™

weight	11.5 oz. / 326 g
pound test	6 8 10
yards	330 220 185
meters	302 201 151



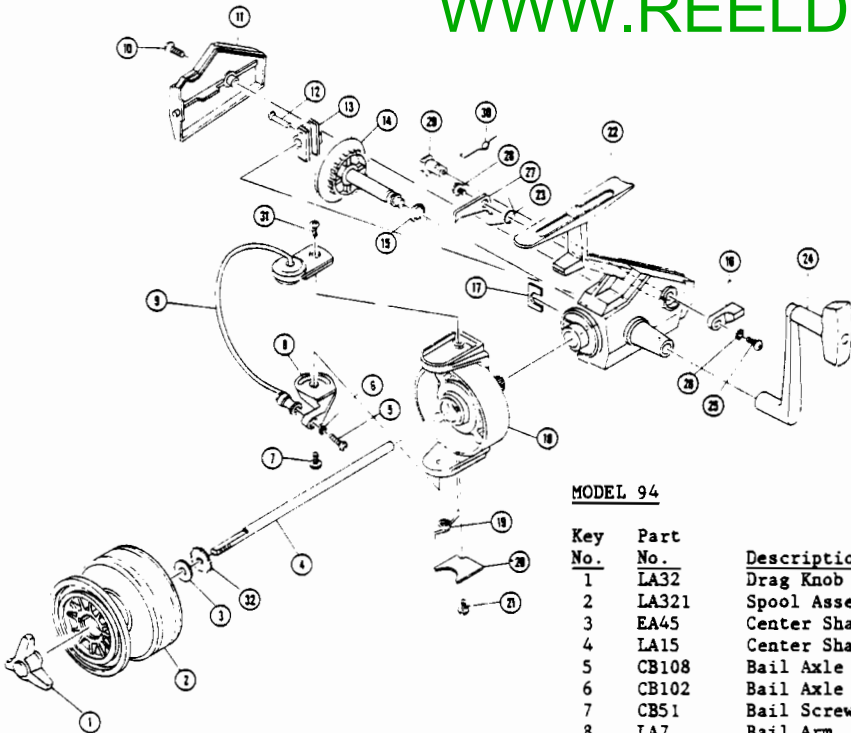
MODEL 84

Key No.	Part No.	Description	Key No.	Part No.	Description
1	KA32	Drag Knob	13	KA53	Oscillator Slider
2	KA321	Spool Assembly	14	KA12	Crank Gear
3	JA45	Center Shaft Washer	15	KA27	Crank Gear Shim
4	JA315	Center Shaft	16	KA59	Anti-Reverse Lever
5	CB108	Bail Axle Screw	17	DA6	Rotor Retainer
6	CB102	Bail Axle Screw Wshr.	18	KA9	Rotor
7	CB51	Bail Screw	19	KA22	Bail Spring
8	HB3	Bail Arm	20	KA87	Bail Spring Cover
9	KA347	Bail Assembly	21	HB50	Bail Cover Screw
10	KA57	Side Plate Screw	22	KA301	Body
11	KA323	Side Plate Assembly	23	KA61	Anti-Rev. Lever Spring
12	KA62	Oscillator Pin	24	KA318	Crank Handle Assy.

WWW.REELDR.COM

TEBCO 94™

weight	12.2 oz. / 346 g
pound test	12 17
yards	168 210
meters	150 192



MODEL 94

Key No.	Part No.	Description	Key No.	Part No.	Description
1	LA32	Drag Knob	17	DA6	Rotor Retainer
2	LA321	Spool Assembly	18	LA9	Rotor
3	EA45	Center Shaft Washer	19	LA22	Bail Spring
4	LA15	Center Shaft	20	LA87	Bail Spring Cover
5	CB108	Bail Axle Screw	21	CB51	Bail Cover Screw
6	CB102	Bail Axle Screw Washer	22	LA301	Body
7	CB51	Bail Screw	23	LA61	Anti-Rev. Lever Spring
8	LA7	Bail Arm	24	LA318	Crank Handle Assy.
9	LA347	Bail Assembly	25	DB85	Anti-Rev. Lever Screw
10	LA57	Side Plate Screw	26	CB102	Anti-Rev. Screw Washer
11	LA323	Side Plate Assembly	27	LA63	Anti-Reverse Pawl
12	LA62	Oscillator Pin	28	LA80	Anti-Rev. Pawl Screw
13	LA53	Oscillator Slider	29	LA60	Anti-Reverse Ratchet
14	LA12	Crank Gear	30	LA42	Anti-Rev. Ratchet Spring
15	LA27	Crank Gear Shim	31	CB51	Bail Screw
16	LA59	Anti-Reverse Lever	32	DA56	Click Gear