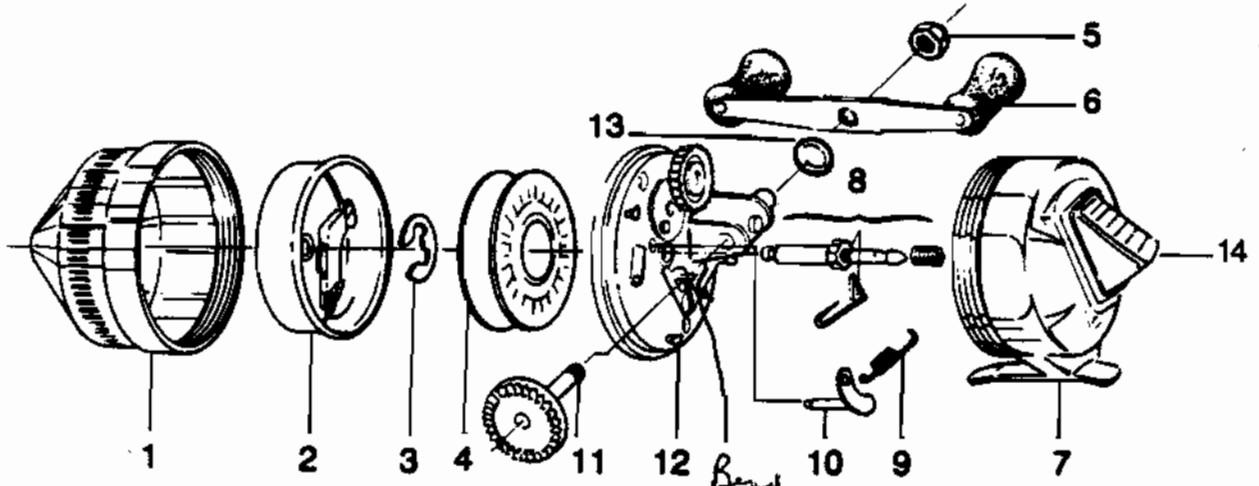


# ZEBCO 808N



**KEY PART**

| NO. NO.    | DESCRIPTION                  |
|------------|------------------------------|
| 1 EE324-2  | FRONT COVER S/A <i>Brown</i> |
| 2 EE310-1  | SPINNERHEAD ASSY.            |
| 3 G2034-1  | SPOOL RETAINER CLIP          |
| 4 FE021    | SPOOL (EMPTY)                |
| 4 FE321-3  | SPOOL W/20# HI PERF LINE     |
| 5 Q1003    | CRANK NUT                    |
| 6 ME318-1  | CRANK HANDLE S/A             |
| 7 EE323-4  | BACK COVER S/A <i>Brown</i>  |
| 8 FE315-1  | CENTER SHAFT ASSY.           |
| 9 P1085-1  | CLUTCH SPRING                |
| 10 P1307-1 | CLUTCH SHAFT                 |
| 11 P1308-1 | CRANK SHAFT                  |
| 12 P1301-2 | BODY S/A                     |
| 13 FE086-2 | CRANK SHAFT SPACER           |
| 14 PY009   | THUMB STOP                   |

[WWW.REELDR.COM](http://WWW.REELDR.COM)

Prices subject to change without notice. Prices do not include postage and handling.

**PLEASE ORDER BY PART NUMBER**

Rev. 11/90

Zebco Division Brunswick Corporation, Box 270, Tulsa, OK 74101 USA 918-838-5581

