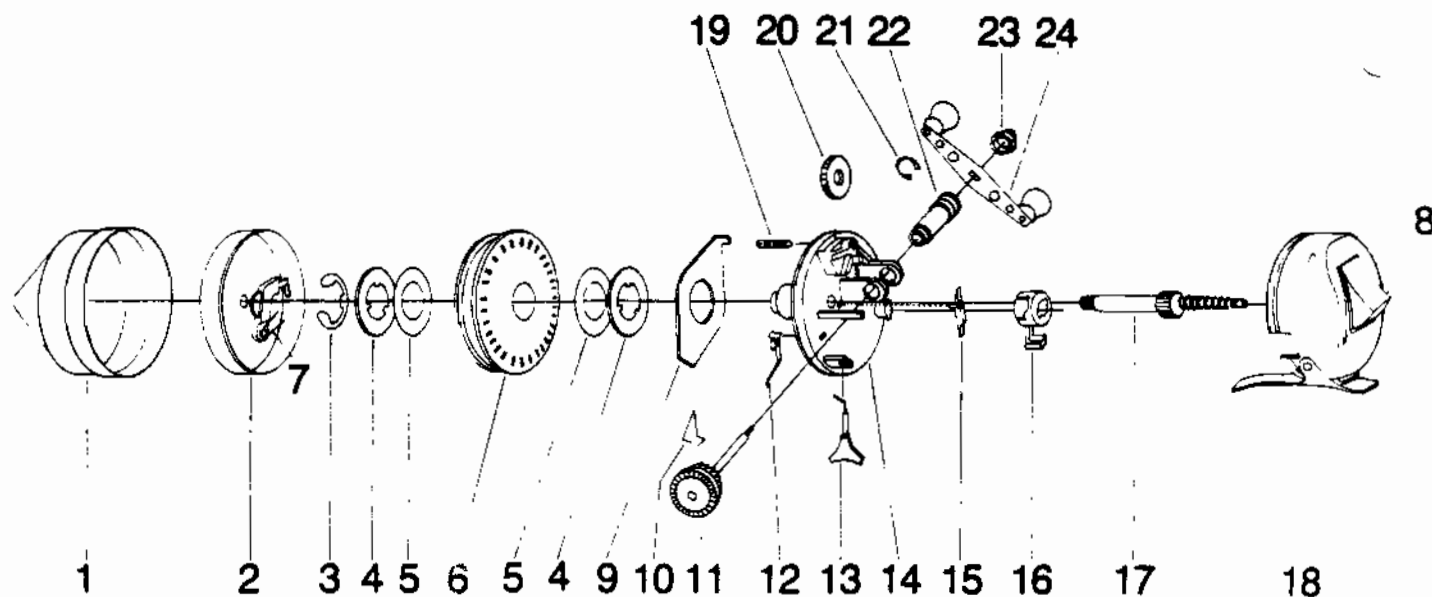


ZEBCO 808 (1986 Model)



KEY PART NO.	DESCRIPTION
1 EE324-1	FRONT COVER S/A
2 EE310-1	SPINNERHEAD ASSY.
3 G2034-1	SPOOL RETAINER CLIP
4 CJO40-1	SPOOL WASHER (METAL)
5 EE108	SPOOL WASHER
6 EEO21	SPOOL
6 EE321-20H	WOUND SPOOL-MONO 20#HI PR
6 EE321-90B	WOUND SPOOL/90# BRAIDED
7 PZ049	PICK-UP PIN SPRING
8 PY009	THUMB STOP
9 EEO27	CLUTCH RING
10 EEO52	ANTI-REVERSE DRAG
11 EE308-2	CRANK SHAFT S/A
12 RY033	RATCHET SPRING
13 EEO14	BAIT CLICKER
14 EE301	808/888 BODY S/A
15 EEO63	ANTI-REVERSE PAWL
16 EEO02	A/R ACTUATOR
17 EE315	CENTER SHAFT S/A
18 EE323-1	BACK COVER S/A
19 EEO54	CLUTCH SCREW
20 EEO32	CLUTCH WHEEL
21 EE121	RETAINER CLIP
22 EEO26	CRANK SHAFT BUSHING
23 QZ003	CRANK NUT
24 ME318-1	CRANK HANDLE S/A

WWW.REELDR.COM

Prices subject to change without notice. Prices do not include postage and handling.

PLEASE ORDER BY PART NUMBER

Rev. 11/90

Zebco Division Brunswick Corporation, Box 270, Tulsa, OK 74101 USA 918-836-5581

