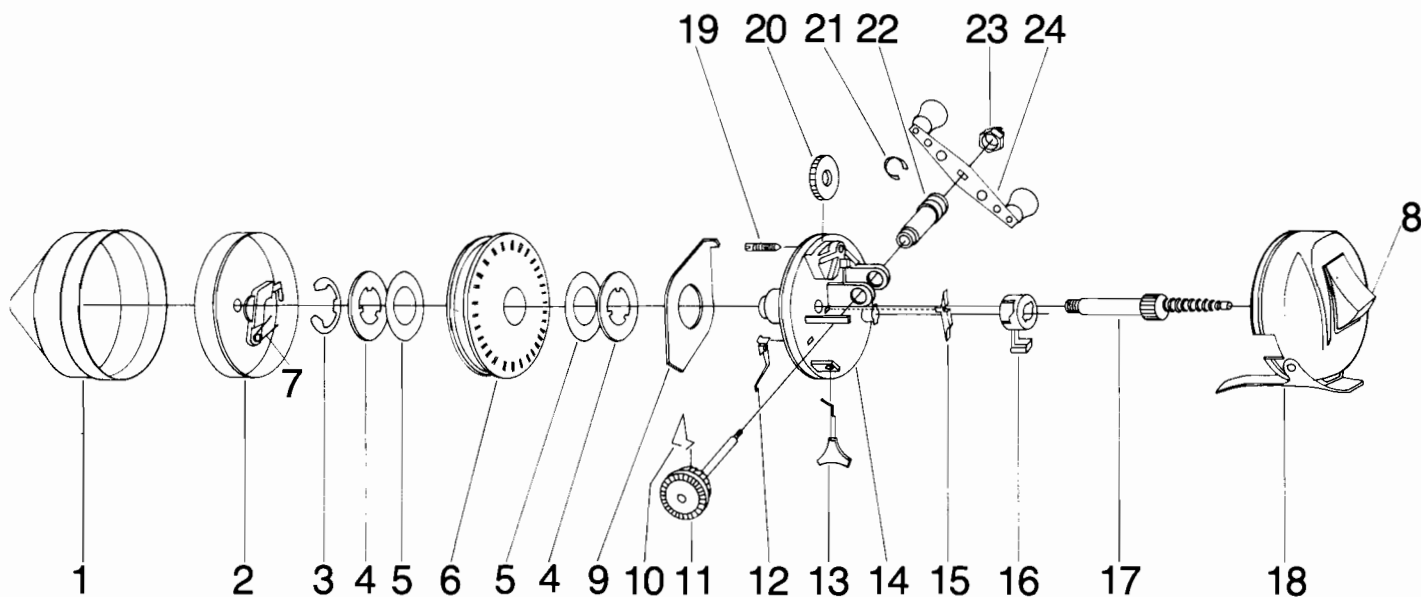


ZEBCO 808 (1986 Model)



KEY PART NO. NO.	DESCRIPTION
1 EE324-1	FRONT COVER S/A
2 EE310	SPINNERHEAD S/A
3 GZ034	SPOOL RETAINER CLIP
4 CJ040	SPOOL WASHER
5 EE108	SPOOL WASHER
6 EE021	SPOOL
6 EE321-20H	WOUND SPOOL-MOND 20#HI PR
6 EE321-90B	WOUND SPOOL/90# BRAIDED
7 PZ049	PICK-UP PIN SPRING
8 PY009	THUMB STOP
9 EE027	CLUTCH RING
10 EE052	ANTI-REVERSE DRAG
11 EE308-2	CRANK SHAFT S/A

KEY PART NO. NO.	DESCRIPTION
12 RY033	RATCHET SPRING
13 EE014	BAIT CLICKER
14 EE301	808/868 BODY S/A
15 EE063	ANTI-REVERSE PAWL
16 EE002	A/R ACTUATOR
17 EE315	CENTER SHAFT S/A
18 EE323-1	BACK COVER S/A
19 EE054	CLUTCH SCREW
20 EE032	CLUTCH WHEEL
21 EE121	RETAINER CLIP
22 EE026	CRANK SHAFT BUSHING
23 QZ003	CRANK NUT
24 EE318	CRANK HANDLE S/A

WWW.REELDR.COM

Prices subject to change without notice. Prices do not include postage and handling.

PLEASE ORDER BY PART NUMBER

Rev. 9/88

Zebco Division Brunswick Corporation, Box 270, Tulsa, OK 74101 USA 918-836-5581

