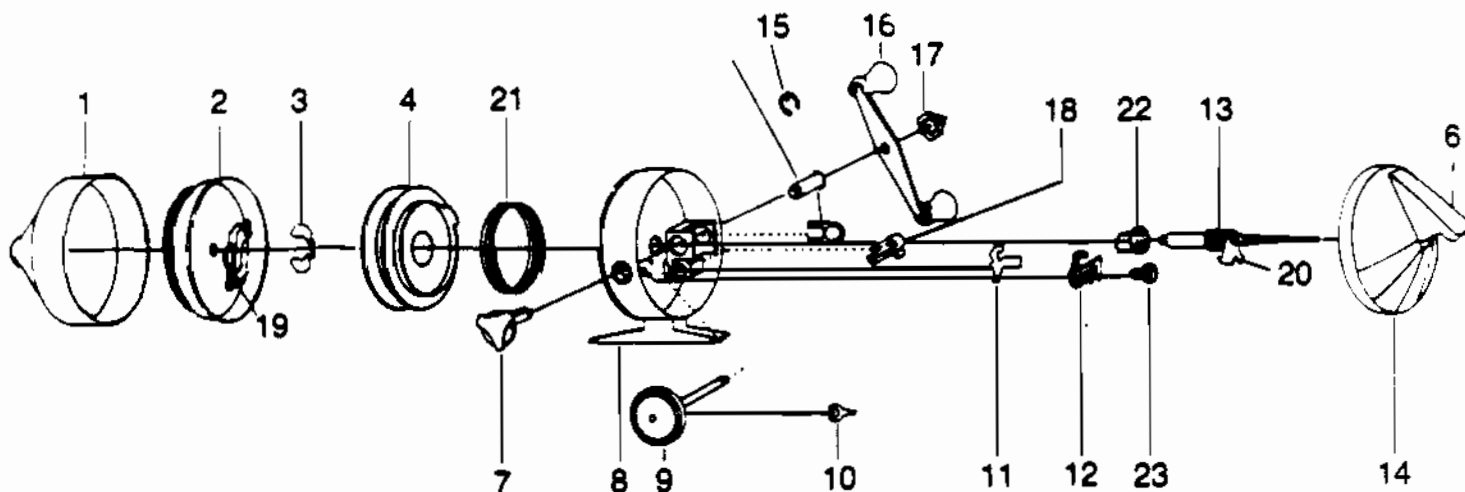


ZEBCO 733 HAWG



Key No.	Part No.	Description
1	KZ324-2	FRONT COVER
2	KZ310	SPINNER HEAD S/A
3	RY034-1	SPOOL RETAINER CLIP
4	GE021	SPOOL
4	GE321-20H	SPOOL WOUND 20# MONO HP
5	KY026-5	CRANK BUSHING
6	GE309	THUMBSTOP S/A
7	KZ019	BAIT ALERT KNB
8	KZ301-2	BODY S/A
9	KY308-1	CRANK SHAFT S/A
10	JY061	PAWL ACTUATOR
11	KZ060	ACTUATOR PAWL
12	KZ014	BAIT CLICKER
13	KZ315	CENTER SHAFT S/A
14	KZ323-2	BACKCOVER/THUMBSTOP S/A
15	JY121	RETAINER CLIP
16	KZ318-3	CRANK HANDLE S/A
17	AZ003	CRANK NUT
18	RY002	ANTI-REVERSE KNOB
19	JY049	PICKUP PIN ARM SPRING
20	KZ065	ACTUATOR
21	GE108	SPOOL SPRING
22	GE017	CENTER BEARING
23	KZ086	DRIVE STUD

WWW.REELDR.COM

Prices subject to change without notice. Prices do not include postage and handling.

PLEASE ORDER BY PART NUMBER

Rev. 5/93

Zebco Division Brunswick Corporation, Box 270, Tulsa, OK 74101 USA 918-836-5581

