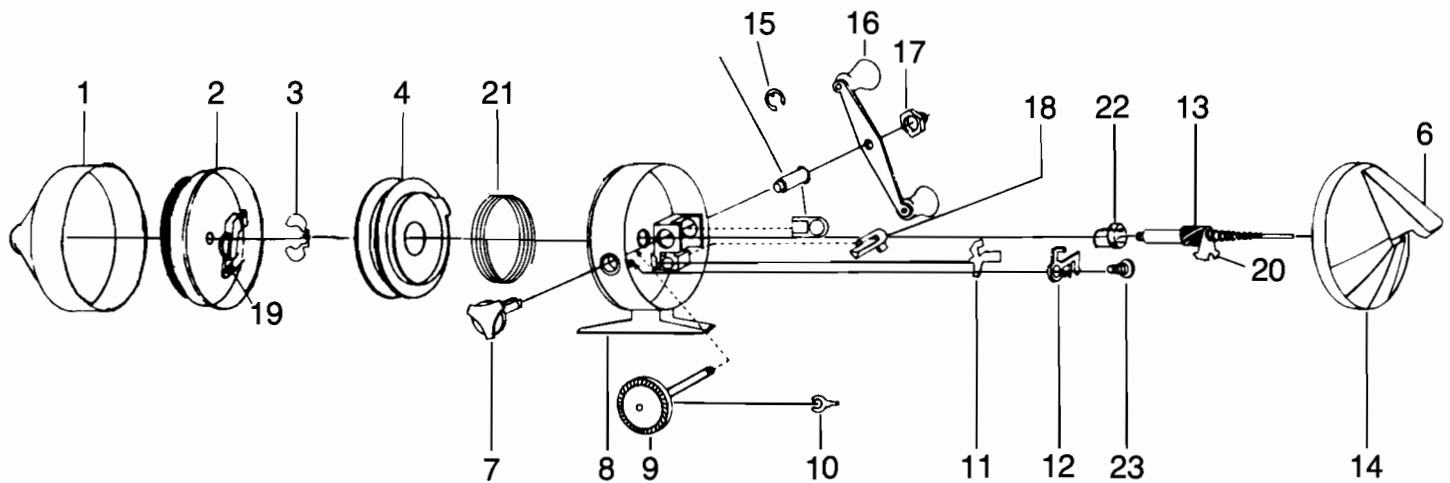


ZEBCO 733 Hawg



KEY PART

NO. NO.	DESCRIPTION
1 KZ324-2	FRONT COVER
2 KZ310	SPINNER HEAD S/A
3 RY034	RETAINER CLIP
4 GE021	SPOOL
4 GE321-20H	SPOOL WOUND 20# MOND HF
5 KY026	CRANK SHAFT BUSHING-STAR
6 GE309	THUMBSTOP S/A
7 KZ019	BAIT ALERT KNB
8 KZ301-2	BODY S/A
9 KY308	CRANK SHAFT S/A
10 JY061	PAWL ACTUATOR
11 KZ060	ACTUATOR PAWL

KEY PART

NO. NO.	DESCRIPTION
12 KZ014	BAIT CLICKER
13 KZ315-2	CENTER SHAFT S/A
14 KZ323-2	BACKCOVER/THUMBSTOP S/A
15 JY121	RETAINER CLIP
16 KZ318-3	CRANK HANDLE S/A
17 AZ003	CRANK NUT
18 RY002	ANTI-REVERSE KNOB
19 JY049	PICKUP PIN ARM SPRING
20 KZ065	ACTUATOR
21 GE108	SPOOL SPRING
22 GE017	CENTER BEARING
23 KZ086	DRIVE STUD

WWW.REELDR.COM

Prices subject to change without notice. Prices do not include postage and handling.

PLEASE ORDER BY PART NUMBER

Rev. 9/88

Zebco Division Brunswick Corporation, Box 270, Tulsa, OK 74101 USA 918-836-5581

