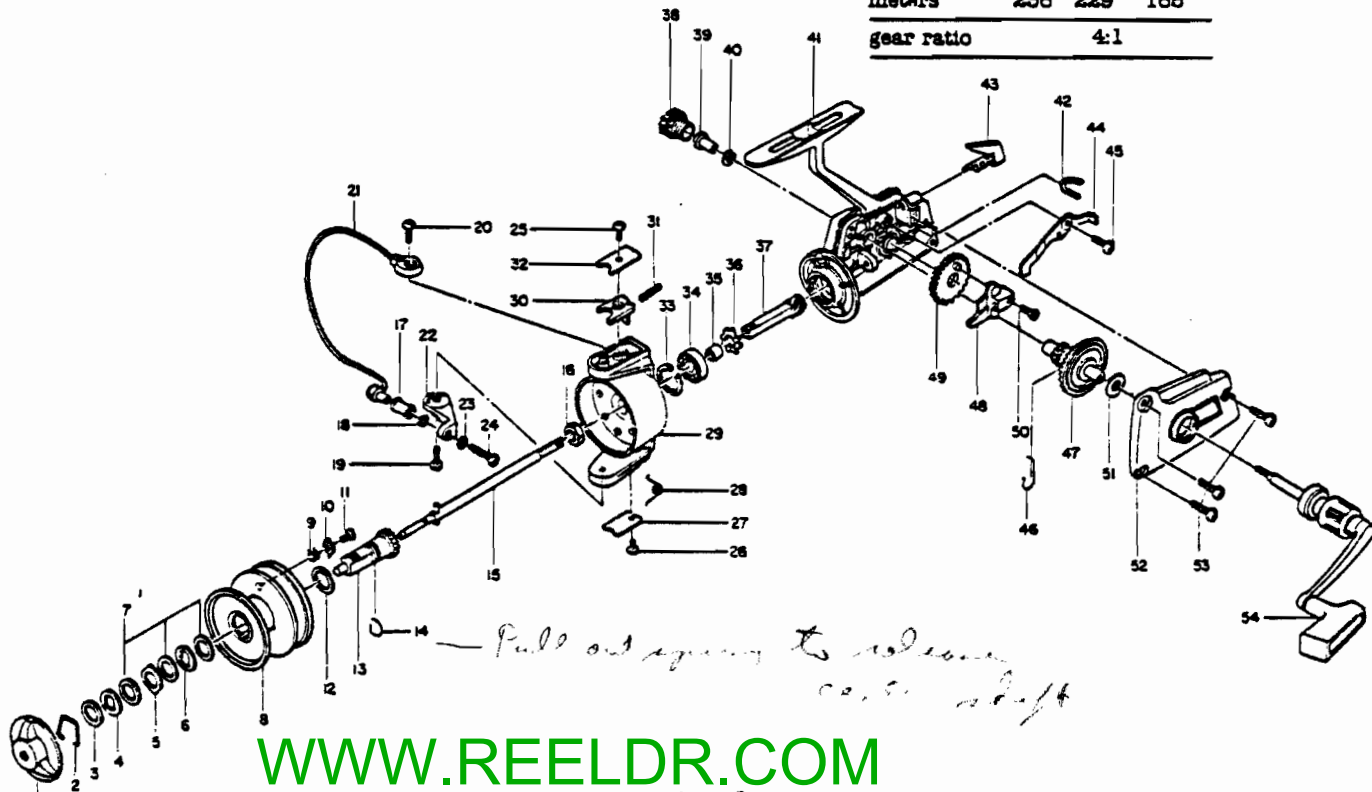


# ZEBCO 7050

weight	18.6 oz/525 g		
pound test	14	17	20
yards	280	250	180
meters	256	229	166
gear ratio	4:1		



[WWW.REELDR.COM](http://WWW.REELDR.COM)

KEY No.	PART No.	DESCRIPTION	PRICE	KEY No.	PART No.	DESCRIPTION	PRICE
1	MB37	DRAG KNOB	\$2.25	28	FB22	BAIL SPRING	\$ .25
2	FB36	DRAG RETAINER CLIP	..25	29	MB9	ROTOR	5.85
3	MB35	SPRING WASHER	.30	30	FB19	BAIL TRIP LEVER	.80
4	MB31	DRAG WASHER C	.35	31	CB49	BAIL TRIP SPRING	.25
5	MB32	DRAG DRIVE	.35	32	MB24	BAIL TRIP COVER	.55
6	MB30	DRAG WASHER A	.35	33	DB40	BEARING RETAINER	.25
7	MB33	DRAG WASHER B	.35	34	DB28	PINION BEARING	4.75
8	MB21	SPOOL (INCOMPLETE)	9.50	35	FB81	PINION SPACER	.65
9	LB57	SPOOL CLAW SPRING	.25	36	FB60	ANTI-REVERSE RATCHET	.75
10	LB55	SPOOL CLAW	.25	37	FB11	PINION GEAR	2.25
11	LB56	SPOOL CLAW SCREW	.25	38	EB73	HANDLE RETAINER COVER	.75
12	LB59	SPOOL SPINDLE WASHER	.25	39	FB54	HANDLE RETAINER	.75
13	MB58	SPOOL SPINDLE ASSY.	3.60	40	FB56	HANDLE RETAINER WASHER	.25
14	LB60	SPOOL SPINDLE SPRING	.25	41	MB301	BODY ASSY.	8.80
15	MB15	CENTER SHAFT	1.85	42	FB69	ANTI-REVERSE KNOB SPRING	.35
16	DB6	ROTOR NUT	.25	43	FB59	ANTI-REVERSE KNOB	1.05
17	FB4	LINE ROLLER	.65	44	MB63	ANTI-REVERSE PAWL	.85
18	FB16	LINE ROLLER BUSHING	.45	45	FB80	ANTI-REVERSE PAWL SCREW	.25
19	EB51	BAIL SCREW A	.25	46	MB42	ANTI-REVERSE ACTUATOR	.30
20	EB51	BAIL SCREW B	.25	47	MB12	CRANK GEAR	2.95
21	FB347	BAIL ASSY.	3.25	48	FB25	OSCILLATOR SLIDER	1.05
22	EB7	BAIL ARM A	.85	49	FB53	OSCILLATOR GEAR	.85
23	CB102	BAIL AXLE WASHER	.25	50	FB100	OSC. SLIDER SCREW A	.25
24	CB108	BAIL AXLE SCREW	.25	51	FB92	CRANK GEAR SHIM	.25
25	EB85	BAIL COVER SCREW	.25	52	MB323	SIDE PLATE ASSY.	4.60
26	EB85	BAIL COVER SCREW	.25	53	CB57	SIDE PLATE SCREW	.25
27	MB25	BAIL SPRING COVER	.55	54	MB318	CRANK HANDLE ASSY.	6.95

\*AVAILABLE AS ONE UNIT,  
MB321 SPOOL ASSY.

10.85

PLEASE ORDER BY PART NUMBER