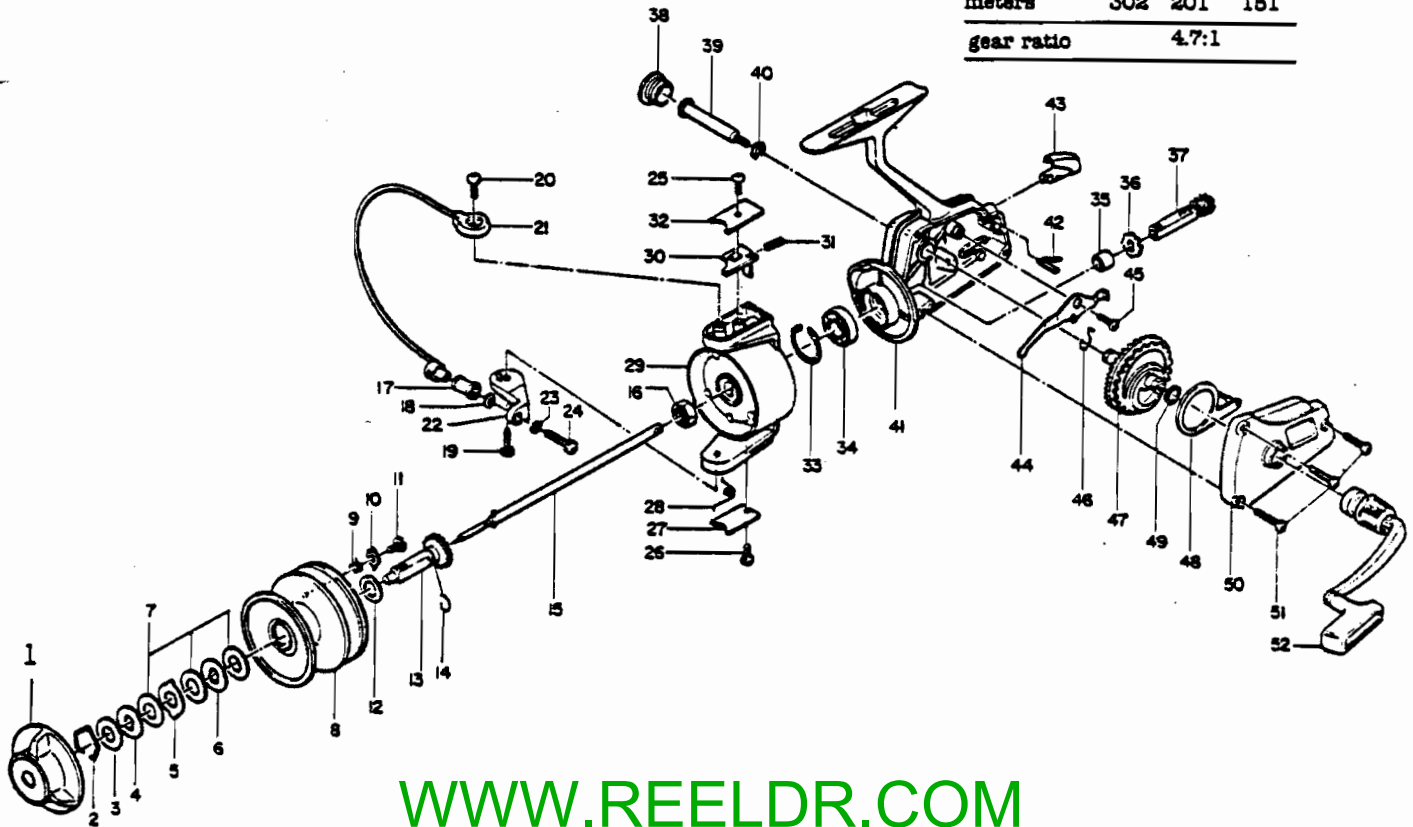


ZEBCO 7020

weight	11.6 oz/329 g		
pound test	6	8*	10
yards	330	220	166
meters	302	201	181
gear ratio	4.7:1		



WWW.REELDR.COM

KEY No.	PART No.	DESCRIPTION	PRICE	KEY No.	PART No.	DESCRIPTION	PRICE
1	LB37	DRAG KNOB	\$2.05	28	DB22	BAIL SPRING	\$.25
2	DB36	DRAG RETAINER CLIP	.25	29	LB9	ROTOR	5.45
3	LB35	SPRING WASHER	.30	30	DB19	BAIL TRIP LEVER	.65
4	LB31	DRAG WASHER C	.30	31	DB49	BAIL TRIP SPRING	.25
5	LB32	DRAG DRIVE	.30	32	LB24	BAIL TRIP COVER	.45
6	LB30	DRAG WASHER A	.30	33	DB40	BEARING RETAINER	.25
7	LB33	DRAG WASHER B	.30	34	DB28	PINION BEARING	4.75
8	LB21	SPOOL (INCOMPLETE)	7.65	35	LB29	PINION SPACER	.45
9	LB57	SPOOL CLAW SPRING	.25	36	LB40	ANTI-REVERSE RATCHET	.75
10	LB55	SPOOL CLAW	.25	37	LB11	PINION GEAR	1.95
11	LB56	SPOOL CLAW SCREW	.25	38	CB73,	HANDLE RETAINER COVER	.45
12	LB59	SPOOL SPINDLE WASHER	.25	39	CB54	HANDLE RETAINER	.55
13	LB58	SPOOL SPINDLE ASSY.	3.30	40	CB105	HANDLE RETAINER WASHER	.25
14	LB60	SPOOL SPINDLE SPRING	.25	41	LB301	BODY ASSY.	8.60
15	LB15	CENTER SHAFT	1.75	42	CB69	ANTI-REVERSE KNOB SPRING	.35
16	DB6	ROTOR NUT	.25	43	CB59	ANTI-REVERSE KNOB	.85
17	CB4	LINE ROLLER	.55	44	LB63	ANTI-REVERSE PAWL	.85
18	CB16	LINE ROLLER BUSHING	.45	45	CB80	ANTI-REVERSE PAWL SCREW	.25
19	CB51	BAIL SCREW	.25	46	LB42	ANTI-REVERSE ACTUATOR	.30
20	CB51	BAIL SCREW	.25	47	LB12	CRANK GEAR	2.45
21	DB347	BAIL ASSY.	2.95	48	DB25	OSCILLATOR SLIDER	.75
22	DB7	BAIL ARM A	1.05	49	CB27	CRANK GEAR SHIM	.25
23	CB102	BAIL AXLE WASHER	.25	50	LB323	SIDE PLATE ASSY.	4.40
24	CB108	BAIL AXLE SCREW	.25	51	CB57	SIDE PLATE SCREW	.25
25	DB85	BAIL COVER SCREW	.25	52	LB318	CRANK HANDLE ASSY.	6.80
26	DB85	BAIL COVER SCREW	.25				
27	LB25	BAIL SPRING COVER	.45				

*AVAILABLE AS ONE UNIT,
LB321 SPOOL ASSY. 8.65

PLEASE ORDER BY PART NUMBER

Zebco Division Brunswick Corporation, Box 270, Tulsa OK 74101 USA 918-836-5581

