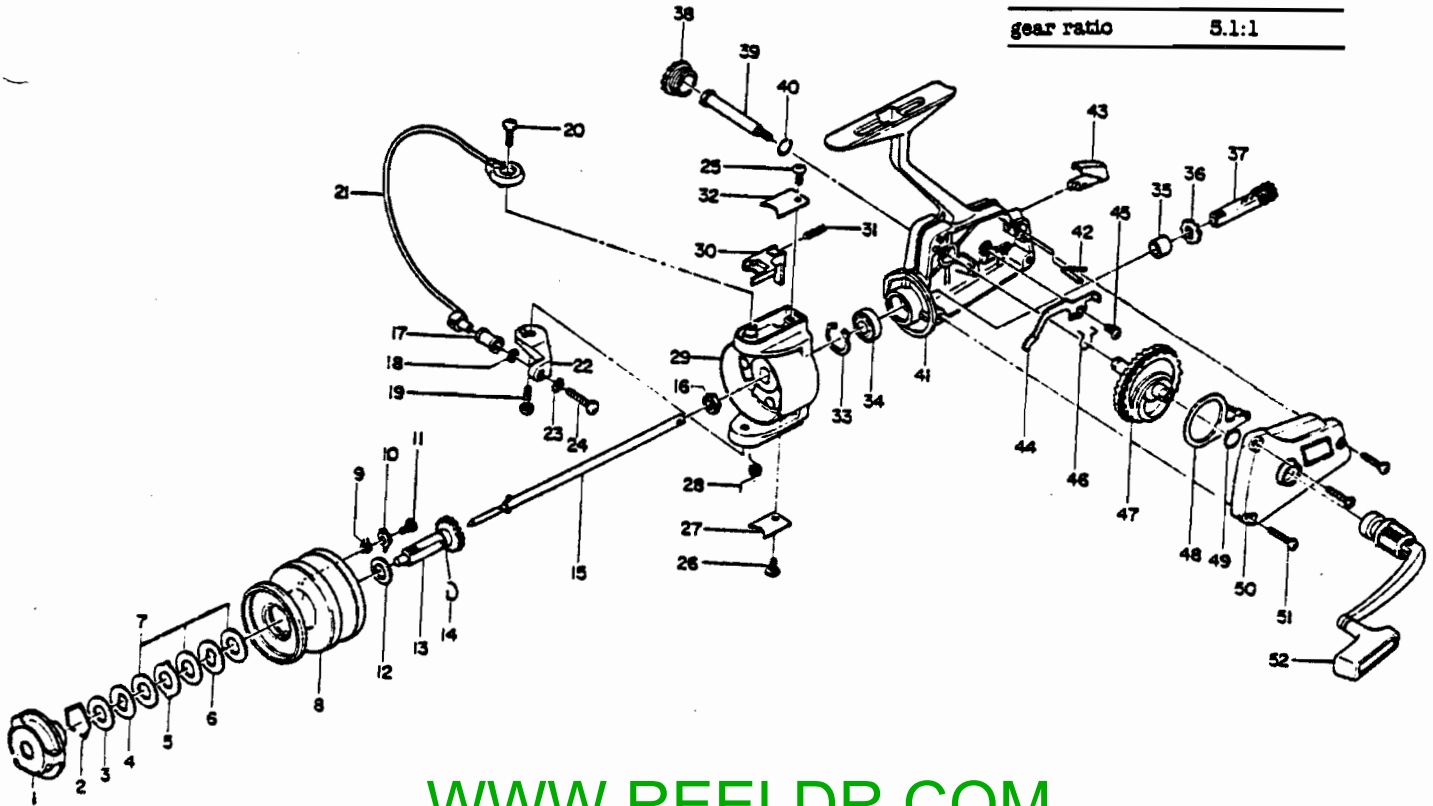


ZEBCO 7010

weight	9.8 oz/289 g		
pound test	4	6	8
yards	280	185	125
meters	238	169	114
gear ratio	5.1:1		



WWW.REELDR.COM

KEY No.	PART No.	DESCRIPTION	PRICE	KEY No.	PART No.	DESCRIPTION	PRICE
1	KB37	DRAG KNOB	\$1.95	28	CB22	BAIL SPRING	\$.25
2	CB36	DRAG RETAINER CLIP	.25	29	KB9	ROTOR	5.20
3	JB35	SPRING WASHER	.30	30	CB19	BAIL TRIP LEVER	.65
4	JB31	DRAG WASHER C	.30	31	CB49	BAIL TRIP SPRING	.25
5	JB32	DRAG DRIVE	.30	32	KB24	BAIL TRIP COVER	.45
6	JB30	DRAG WASHER A	.30	33	CB40	BEARING RETAINER	.35
7	JB33	DRAG WASHER B	.30	34	CB28	PINION BEARING	4.75
8	KB21	SPOOL (INCOMPLETE)	7.00	35	KB29	PINION SPACER	.45
9	KB57	SPOOL CLAW SPRING	.25	36	KB40	ANTI-REVERSE RATCHET	.75
10	JB55	SPOOL CLAW	.25	37	KB11	PINION GEAR	1.95
11	JB56	SPOOL CLAW SCREW	.25	38	CB73	HANDLE RETAINER COVER	.45
12	JB59	SPOOL SPINDLE WASHER	.25	39	CB54	HANDLE RETAINER	.55
13	KB58	SPOOL SPINDLE	3.40	40	CB105	HANDLE RETAINER WASHER	.25
14	JB60	SPOOL SPINDLE SPRING	.25	41	KB301	BODY ASSY.	8.00
15	KB15	CENTER SHAFT	1.65	42	CB69	ANTI-REVERSE KNOB SPRING	.35
16	CB6	ROTOR NUT	.25	43	CB59	ANTI-REVERSE KNOB	.85
17	CB4	LINE ROLLER	.55	44	KB63	ANTI-REVERSE PAWL	.85
18	CB16	LINE ROLLER BUSHING	.45	45	CB80	ANTI-REVERSE PAWL SCREW	.25
19	CB51	BAIL SCREW A	.25	46	KB42	ANTI-REVERSE ACTUATOR	.30
20	CB51	BAIL SCREW B	.25	47	KB12	CRANK GEAR	1.95
21	CB347	BAIL ASSY.	2.75	48	CB25	OSCILLATOR SLIDER	.65
22	CB7	BAIL ARM A	.75	49	CB27	CRANK GEAR SHIM	.25
23	CB102	BAIL AXLE WASHER	.25	50	KB323	SIDE PLATE ASSY.	4.20
24	CB108	BAIL AXLE SCREW	.25	51	CB57	SIDE PLATE SCREW	.25
25	CB85	BAIL COVER SCREW	.25	52	KB318	CRANK HANDLE ASSY.	6.80
26	CB85	BAIL COVER SCREW	.25				
27	KB25	BAIL SPRING COVER	.45				

*AVAILABLE AS ONE UNIT,
KB321 SPOOL ASSY. 8.00

PLEASE ORDER BY PART NUMBER

Zebco Division Brunswick Corporation, Box 270, Tulsa OK 74101 USA 918-836-5581

