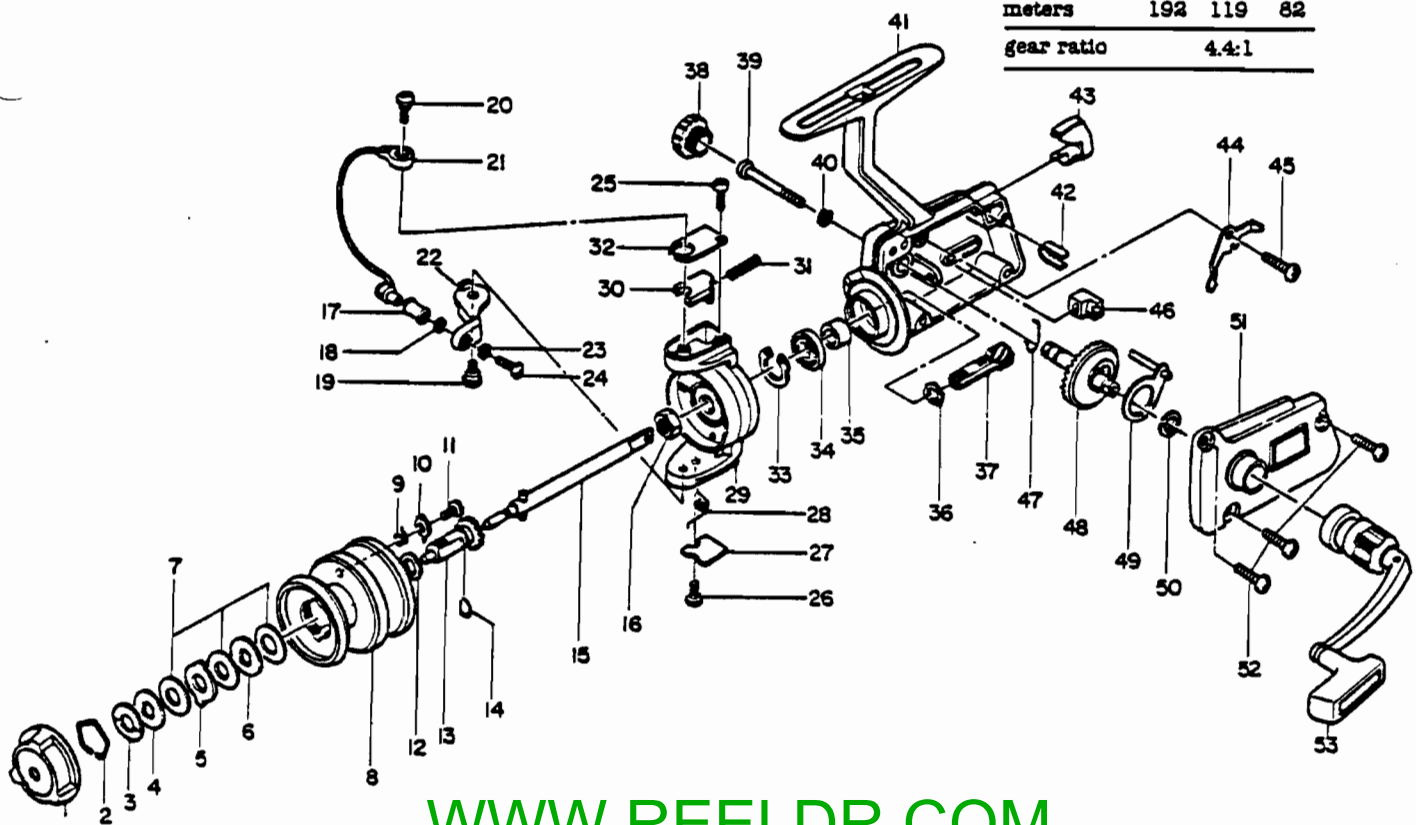


# ZEBCO 7000

weight	7.8 oz./221 g		
pound test	2	4*	6
yards	210	130	90
meters	192	119	82
gear ratio	4.4:1		



[WWW.REELDR.COM](http://WWW.REELDR.COM)

KEY No.	PART No.	DESCRIPTION	PRICE	KEY No.	PART No.	DESCRIPTION	PRICE
1	JB37	DRAG KNOB	\$2.05	28	HB22	BAIL SPRING	\$ .25
2	CB36	DRAG RETAINER CLIP	.25	29	JB9	ROTOR	5.20
3	JB35	SPRING WASHER	.30	30	HB19	BAIL TRIP LEVER	.65
4	JB31	DRAG WASHER C	.30	31	HB20	BAIL TRIP SPRING	.25
5	JB32	DRAG DRIVE	.30	32	JB24	BAIL TRIP COVER	.45
6	JB30	DRAG WASHER A	.30	33	CB40	BEARING RETAINER	.35
7	JB33	DRAG WASHER B	.30	34	HB28	PINION BEARING	4.75
8	JB21	SPOOL (INCOMPLETE)	7.00	35	HB29	PINION SPACER	.25
9	JB57	SPOOL CLAW SPRING	.25	36	HB40	ANTI-REVERSE RATCHET	.75
10	JB55	SPOOL CLAW	.25	37	HB11	PINION GEAR	1.95
11	JB56	SPOOL CLAW SCREW	.25	38	CB73	HANDLE RETAINER COVER	.45
12	JB59	SPOOL SPINDLE WASHER	.25	39	HB52	HANDLE RETAINER	.25
13	JB58	SPOOL SPINDLE ASSY.	3.40	40	CB105	HANDLE RETAINER WASHER	.25
14	JB60	SPOOL SPINDLE SPRING	.25	41	JB301	BODY ASSY.	8.80
15	JB15	CENTER SHAFT	1.65	42	CB69	ANTI-REVERSE KNOB SPRING	.35
16	CB6	ROTOR NUT	.25	43	HB38	ANTI-REVERSE KNOB	.85
17	CB4	LINE ROLLER	.55	44	JB41	ANTI-REVERSE PAWL	.55
18	CB16	LINE ROLLER BUSHING	.45	45	HB49	ANTI-REVERSE PAWL SCREW	.25
19	HB8	BAIL SCREW A	.25	46	HB44	OSCILLATOR SLIDER LINK	.25
20	HB10	BAIL SCREW B	.25	47	JB42	ANTI-REVERSE ACTUATOR	.30
21	HB347	BAIL ASSY.	2.75	48	JB12	CRANK GEAR	1.95
22	HB3	BAIL ARM A	.75	49	HB43	OSCILLATOR SLIDER	.80
23	CB102	BAIL AXLE WASHER	.25	50	CB27	CRANK GEAR SHIM	.25
24	HB7	BAIL AXLE SCREW	.25	51	JB323	SIDE PLATE ASSY.	4.20
25	HB50	BAIL COVER SCREW	.25	52	HB48	SIDE PLATE SCREWS	.25
26	HB50	BAIL COVER SCREW	.25	53	JB318	CRANK HANDLE ASSY.	6.80
27	JB25	BAIL SPRING COVER	.45				

\*AVAILABLE AS ONE UNIT, JB321 SPOOL ASSY.

PLEASE ORDER BY PART NUMBER

