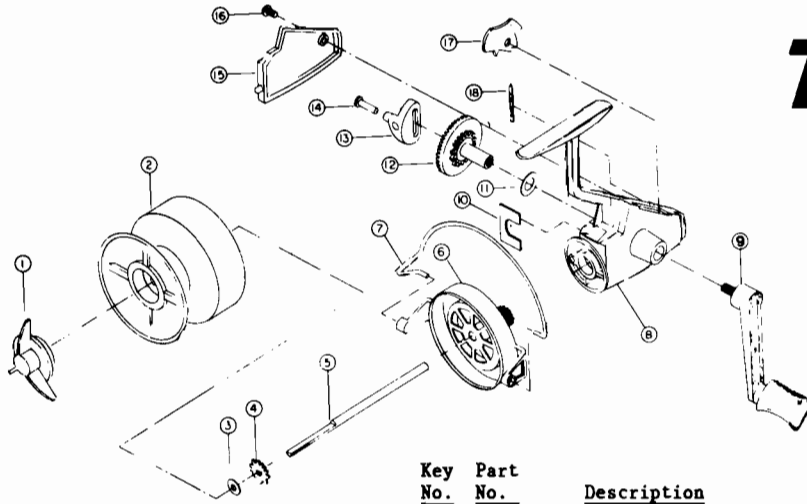


TEBCO 64™

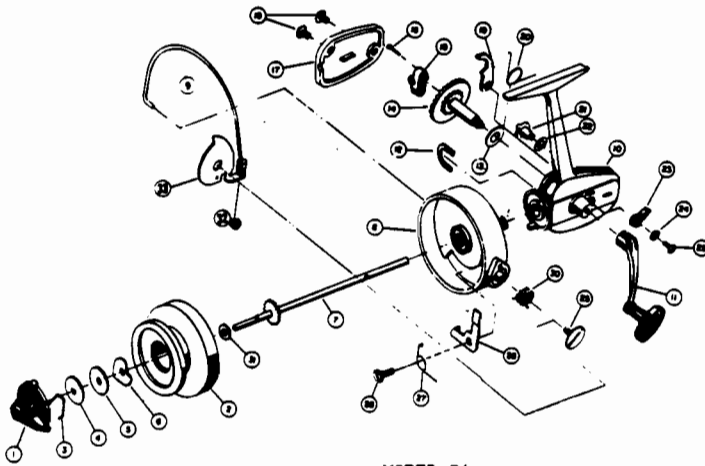
weight	6.9 oz./196 g		
pound test	4	6"	8
yards	240	160	120
meters	220	137	110



WWW.REELDR.COM

Key No.	Part No.	Description	Key No.	Part No.	Description
1	CA32	Drag Knob	10	CA6	Rotor Retainer
2	CA321	Spool Assembly	11	CA26	Gear Washer
3	CA56	Spool Seat Washer	12	CA12	Crank Gear
4	CA66	Click Gear	13	CA25	Oscillator
5	CA15	Center Shaft	14	CA29	Oscillator Pin
6	CA9	Rotor	15	CA23	Side Cover
7	CA47	Bail	16	CA57	Cover Screw
8	CA1	Body	17	CA59	Anti-Reverse Lever
9	CA318	Crank Handle	18	CA61	Anti-Reverse Spring

Revised 1084. Prices subject to change without notice.
Prices do not include postage and handling.



TEBCO 74

MODEL 74

Key No.	Part No.	Description	Key No.	Part No.	Description
1	BA32	Drag Knob	16	BA29	Oscillator Pin
2	BA21	*Spool	17	BA23	Side Cover
3	BA36	*Drag Retainer	18	AA57	Cover Screw
4	BA45	*Drag Washer A	19	BA63	Anti-Reverse Pawl
5	BA39	*Drag Washer B	20	BA61	Anti-Reverse Spring
6	BA31	*Tension Spring	21	BA60	Anti-Reverse Ratchet
7	BA15	Center Shaft	22	BA74	Washer
8	BA9	Rotor	23	BA59	Anti-Reverse Lever
9	BA47	Bail	24	BA55	Lock Washer
10	BA1	Body	25	AB110	Screw
11	BA18	Handle	26	BA24	Bail Lever Screw
12	BA6	Rotor Retainer	27	BA22	Trip Lever Spring
13	BA26	Crank Gear Shim	28	BA103	Bail Trip Lever
14	BA12	Crank Gear	29	BA51	Bail Hinge Screw
15	BA25	Oscillator	30	BA49	Bail Return Spring
			31	BA56	Bail Seat Washer
			32	BA14	Bail Nut
			33	BA7	Bail Hinge