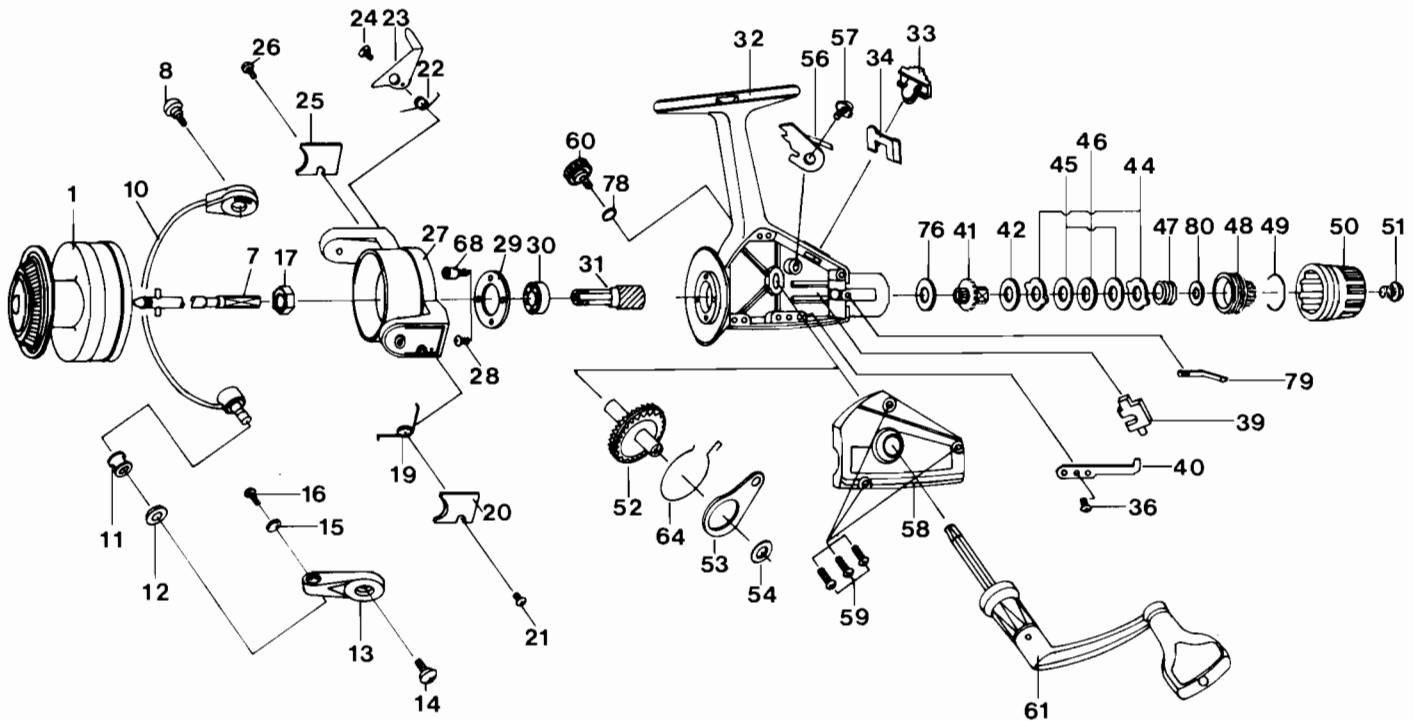


ZEBCO 608



KEY PART

NO. NO.	DESCRIPTION
1 JS321	SPOOL ASSY.
7 GS315	CTR SHAFT ASSY.
8 GS048	BAIL SCREW B
10 GS347	BAIL ASS'Y
11 NB004	LINE ROLLER
12 FS016	LN/ROLLER/BUSH.
13 GS007	BAIL ARM A
14 GS051	BAIL SCREW A
15 FS102	BAIL AXLE WASH
16 FS108	BAIL AXLE SCREW
17 RB006	ROTOR NUT
19 RB022	BAIL SPR. PS20
20 JS087	BAIL SPRING COVER
21 FS085	BAIL TRIP LVR CVR
22 RB049	TRIP LVR. SPR.
23 RB019	TRIP LVR. PS20
24 RB037	TRIP LEVER SCREW
25 JS024	TRIP LVR. COVER
26 FS085	BAIL TRIP LVR CVR
27 JS009	ROTOR
28 NB080	BEARING RET. SCR.
29 RB040	BEARING RET.
30 FS028	BALL BEARING
31 FS011	PIN, GEAR 4110, 20
32 JS301	BODY ASSY.
33 FS059	A/R LEVER
34 FS090	A/R LVR. SP.
36 NB080	BEARING RET. SCR.

KEY PART

NO. NO.	DESCRIPTION
39 FS081	PIN SLIDER
40 FS068	CLICK CLAW
41 FS104	SLIDER HOLDER
42 FS046	DRAG WASHER C
44 FS030	DRAG WASHER A
45 VB039	DRAG WASHER B
46 VB071	DRAG WASHER D
47 VB031	DRAG COIL SPR
48 FS112	DRAG NUT
49 VB070	DRAG RET. RING
50 JS032	DRAG KNOB
51 FS079	DRAG SCREW
52 FS012	CRANK GEAR 4110-20
53 FS025	OSCILLATOR SLIDER
54 RB026	CRANK GEAR SHIM
56 FS063	A/R PAWL
57 FS089	A/R SCREW
58 JS323	SIDE PLATE ASSY.
59 FS057	SLIDE PLATE SCR.
60 FS073	HANDLE CAP
61 FS318	HANDLE ASSY
64 RB086	SLIDER SPRING
68 RB062	KICK LEVER PIN
76 FS035	DRAG WASHER E
78 FS105	HNDLE SCR. WASH
79 FS033	BACK CLAW
80 FS036	REAR DRAG WASH

WWW.REELDR.COM

Prices subject to change without notice. Prices do not include postage and handling.

PLEASE ORDER BY PART NUMBER

Rev. 9/88

Zebco Division Brunswick Corporation, Box 270, Tulsa, OK 74101 USA 918-836-5581

