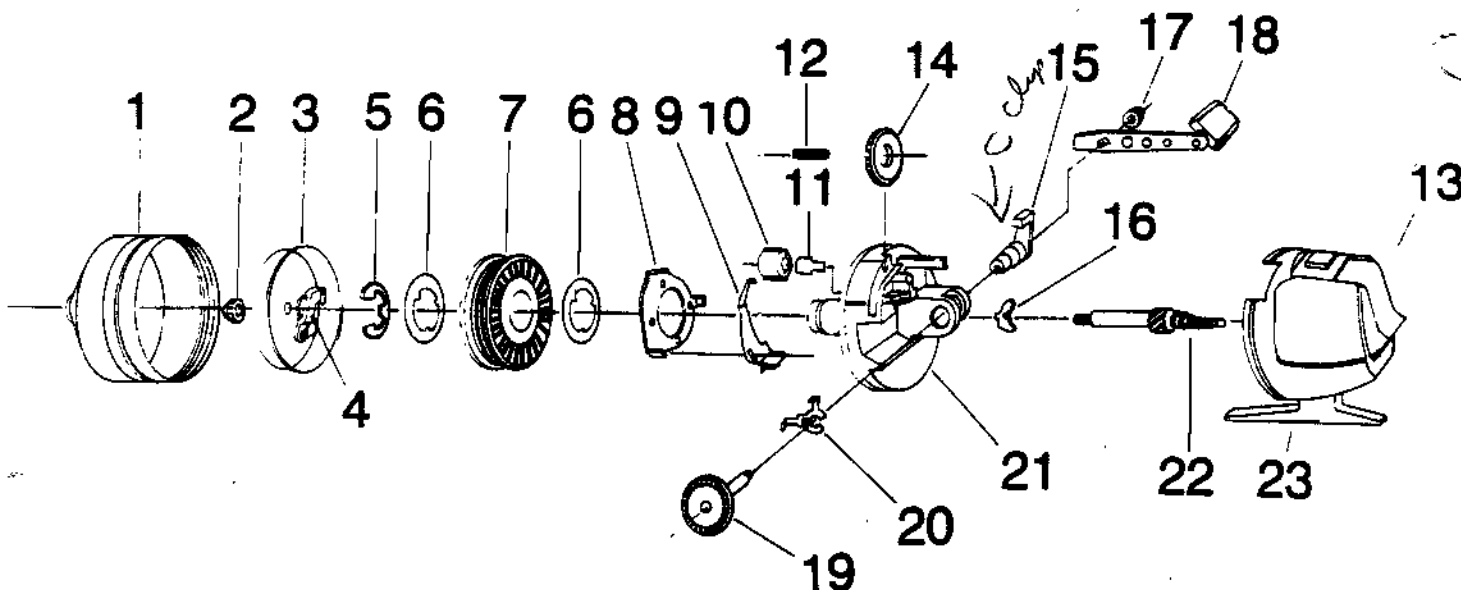


ZEBCO 606 (1986 Model)



KEY PART

NO. NO.	DESCRIPTION
1 JY324-6	FRONT COVER S/A
3 JY310	SPINNERHEAD
4 JY049	PICKUP PIN ARM SPRING
5 JY034	SPOOL CLIP
6 NY040	SPOOL WASHER
7 JY021	SPOOL
7 JY321-8P	WIND SPOOL 8# LINE
8 AE027	CLUTCH RING
9 NY033	RATCHET SPRING
10 AE169	PISTON WITH SPRING
11 AE168	DUAL DRAG CLICK SPRING
12 BJ054-2	CLUTCH SCREW
13 SY009	THUMBSTOP
14 NY332-1	DRAG ADJ. WHEEL S/A
15 AE028	DRAG LEVER
16 JY060	ANTI-REVERSE PAWL
17 AZ003	CRANK NUT
18 SY318	CRANK HANDLE S/A
19 JY308	CRANK GEAR SUB-ASSEMBLY
20 SY061	ANTI-REV. PAWL ACTUATOR
21 AE301-2	1220N/606 BODY S/A
22 WY315-2	CENTER SHAFT S/A
23 SY323	BACK COVER S/A

WWW.REELDR.COM

Prices subject to change without notice. Prices do not include postage and handling.

PLEASE ORDER BY PART NUMBER

Rev. 11/90

Zebco Division Brunswick Corporation, Box 270, Tulsa, OK 74101 USA 918-636-5681

