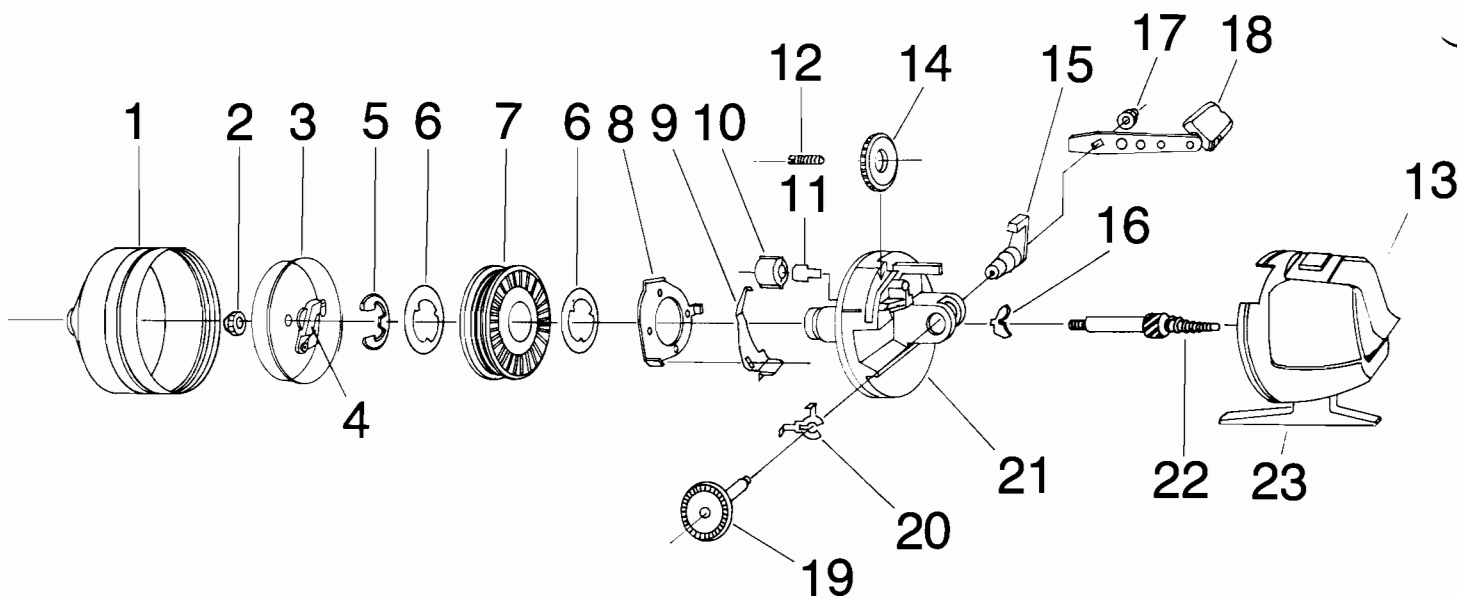


ZEBCO 606 (1986 Model)



KEY PART

NO. NO.	DESCRIPTION
1 JY324-6	FRONT COVER S/A
3 JY310	SPINNERHEAD
4 JY049	PICKUP PIN ARM SPRING
5 JY034	SPOOL CLIP
6 NY040	SPOOL WASHER
7 JY021	SPOOL
7 JY321-8P	WWD SPOOL 8#
8 AE027	CLUTCH RING
9 RY033	RATCHET SPRING
10 AE169	PISTON WITH SPRING
11 AE168	DUAL DRAG CLICK SPRING
12 BJ054	CLUTCH SCREW

KEY PART

NO. NO.	DESCRIPTION
13 SY009	THUMBSTOP
14 RY332	DRAG ADJ WHEEL S/A
15 AE026	DRAG LEVER
16 JY060	ANTI-REVERSE PAWL
17 AZ003	CRANK NUT
18 SY318	CRANK HANDLE S/A
19 JY308	CRANK GEAR SUB-ASSEMBLY
20 SY061	ANTI-REV. PAWL ACTUATOR
21 AE301-2	1220N/606 BODY S/A
22 WY315-2	CENTER SHAFT S/A
23 SY323-1	BACK COVER S/A

WWW.REELDR.COM

Prices subject to change without notice. Prices do not include postage and handling.

PLEASE ORDER BY PART NUMBER

Rev. 9/88

Zebco Division Brunswick Corporation, Box 270, Tulsa, OK 74101 USA 918-836-5581

