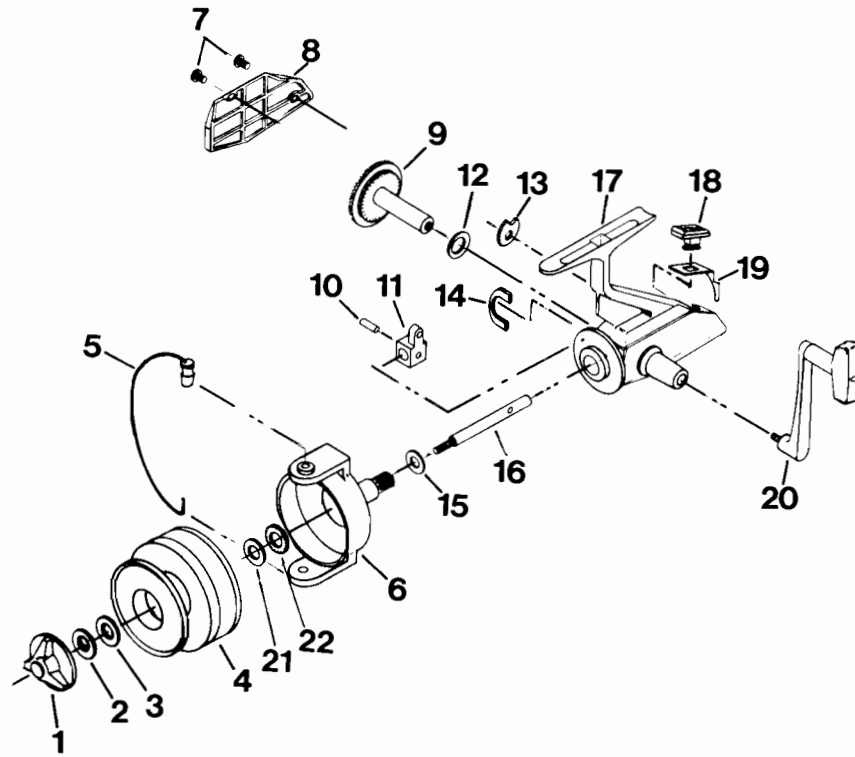


ZEBCO 58 68



**Model
58**

**Model
68**

KEY PART

NO. NO.	DESCRIPTION
1 ZA032	DRAG KNOB
2 ZA030	DRAG WASHER (STEEL)
3 ZA039	DRAG WASHER (CORK)
4 ZA321	SPOOL ASSY
5 ZA047	BAIL
6 ZA009	ROTOR AND PINION
7 ZA057	SIDE PLATE SCREW
8 ZA323	SIDE PLATE ASSY
9 ZA012	CRANK GEAR
10 ZA062	OSCILLATOR PIN
11 ZA025	OSCILLATOR SLIDER
12 ZA084	CRANK GEAR SHIM
13 ZA063	ANTI-REVERSE PAWL
14 ZA006	ROTOR RETAINER
15 ZA024	PINION GEAR WASHER
16 ZA015	CENTER SHAFT
17 ZA301	BODY ASSY
18 NA059	ANTI-REVERSE KNOB
19 ZA069	ANTI-REVERSE SPRING
20 ZA318	HANDLE ASSY
21 ZA056	SPOOL WASHER (RED)
22 ZA066	CLICK PLATE

WWW.REELDR.COM

KEY PART

NO. NO.	DESCRIPTION
1 NA032	DRAG KNOB
2 NA030	DRAG WASHER (STEEL)
3 NA039	DRAG WASHER (CORK)
4 NA321	SPOOL ASSY
5 NA047	BAIL
6 NA009	ROTOR AND PINION
7 NA057	SIDE PLATE SCREW
8 NA323	SIDE PLATE ASSY
9 NA012	CRANK GEAR
10 NA062	OSCILLATOR PIN
11 NA025	OSCILLATOR SLIDER
12 NA084	CRANK GEAR SHIM
13 NA063	ANTI-REVERSE PAWL
14 NA006	ROTOR RETAINER
15 NA024	PINION GEAR WASHER
16 NA015	CENTER SHAFT
17 NA301	BODY ASSY
18 NA059	ANTI-REVERSE KNOB
19 NA069	ANTI-REVERSE SPRING
20 NA318	HANDLE ASSY
21 NA056	SPOOL WASHER (RED)
22 NA066	CLICK PLATE

Prices subject to change without notice. Prices do not include postage and handling.

PLEASE ORDER BY PART NUMBER

Rev. 9/88

Zebco Division Brunswick Corporation, Box 270, Tulsa, OK 74101 USA 918-836-5581

