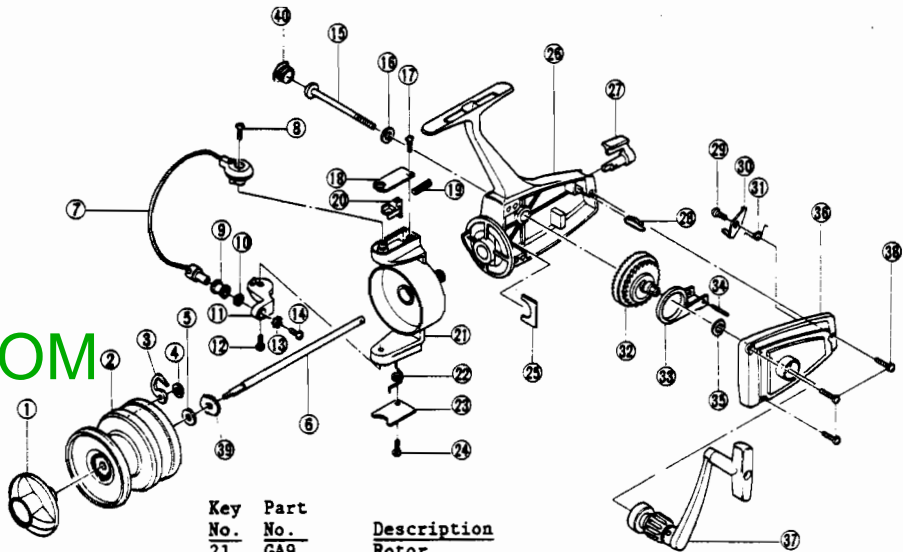


TEBCO 5020

weight	12.7 oz / 360 g
pound test	8 8" 10
yards	330 220 166
meters	302 201 151

WWW.REELDR.COM

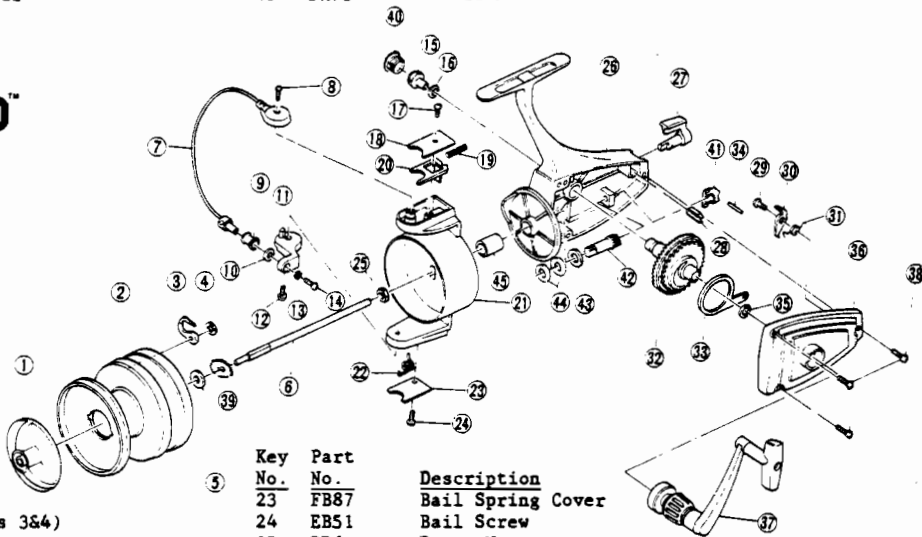


Key No.	Part No.	Description
1	GA32	Drag Knob
2	GA321	Spool Assy (Keys 3&4)
3	CB67	Click Spring
4	CB68	Click Spring Retainer
5	EA45	Center Shaft Washer
6	GA15	Center Shaft
7	DB347	Bail Assembly
8	CB51	Bail Screw
9	CB4	Line Roller
10	CB16	Line Roller Bushing
11	DB7	Bail Arm A
12	CB51	Bail Screw
13	CB102	Bail Axle Washer
14	CB108	Bail Axle Screw
15	CB54	Handle Retainer
16	CB105	Handle Retainer Washer
17	DB85	Bail Cover Screw
18	DB24	Bail Trip Cover
19	DB49	Bail Trip Spring
20	DB19	Bail Trip Lever

Key No.	Part No.	Description
21	GA9	Rotor
22	DB22	Bail Spring
23	DB87	Bail Spring Cover
24	DB85	Bail Cover Screw
25	DA6	Rotor Retainer
26	GA301	Body
27	FA59	Anti-Reverse Knob
28	CB69	Anti-Rev. Knob Spring
29	FB80	Anti-Rev. Pawl Screw
30	FA63	Anti-Reverse Pawl
31	CB61	Anti-Rev. Pawl Spring
32	DA12	Crank Gear
33	DA25	Oscillator Slider
34	GA62	Oscillator Slider Pin
35	GA27	Crank Gear Shim
36	GA323	Side Plate Assy.
37	GA318	Crank Handle Assembly
38	CB57	Side Plate Screw
39	DA56	Click Gear
40	FA73	Handle Retainer Cover

TEBCO 5050™

weight	19.6 oz / 556 g
pound test	14 17" 20
yards	280 250 180
meters	256 229 166



Key No.	Part No.	Description
1	HA32	Drag Knob
2	HA321	Spool Assy. (Keys 3&4)
3	CB67	Click Spring
4	CB68	Click Spring Retainer
5	EA45	Center Shaft Washer
6	HA15	Center Shaft
7	FB347	Bail Assembly
8	EB51	Bail Screw
9	FB4	Line Roller
10	FB16	Line Roller Bushing
11	EB7	Bail Arm A
12	EB51	Bail Screw
13	CB102	Bail Axle Washer
14	CB108	Bail Axle Screw
15	HA54	Handle Retainer
16	FB56	Handle Retainer Washer
17	EB85	Bail Cover Screw
18	FB24	Bail Trip Cover
19	CB49	Bail Trip Spring
20	FB19	Bail Trip Lever
21	HA9	Rotor
22	FB22	Bail Spring

Key No.	Part No.	Description
23	FB87	Bail Spring Cover
24	EB51	Bail Screw
25	DB6	Rotor Nut
27	HA59	AntiReverse Knob
28	HA69	Anti-Rev. Knob Spring
29	FB80	Anti-Rev. Pawl Screw
30	HA63	Anti-Reverse Pawl
31	CB61	Anti-Rev. Pawl Spring
32	HA12	Crank Gear
33	HA25	Oscillator Slider
34	HA62	Oscillator Slider Pin
35	FB92	Crank Gear Shim
37	HA318	Crank Handle Assembly
38	CB57	Side Plate Screw
39	HA56	Click Gear
40	HA73	Handle Retainer Cover
41	HA53	Oscillator Slider Link
42	HA11	Pinion
43	HA81	Pinion Washer
44	HA86	Bushing Washer
45	HA28	Pinion Bushing