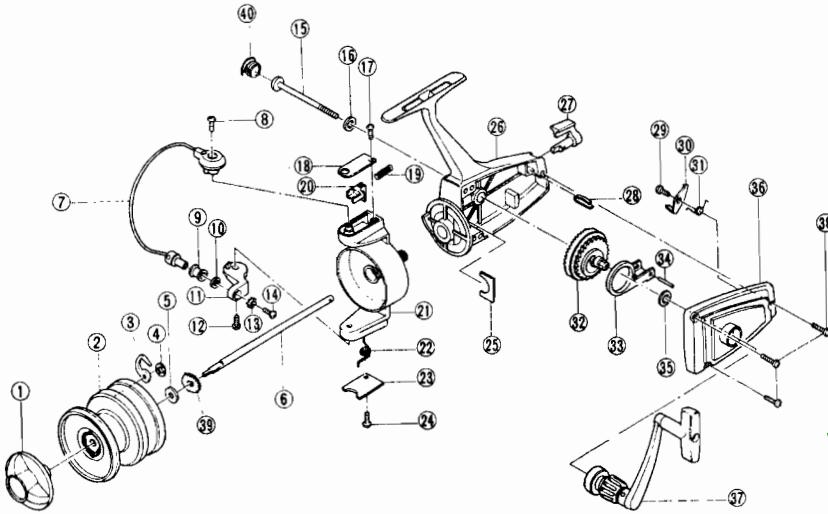


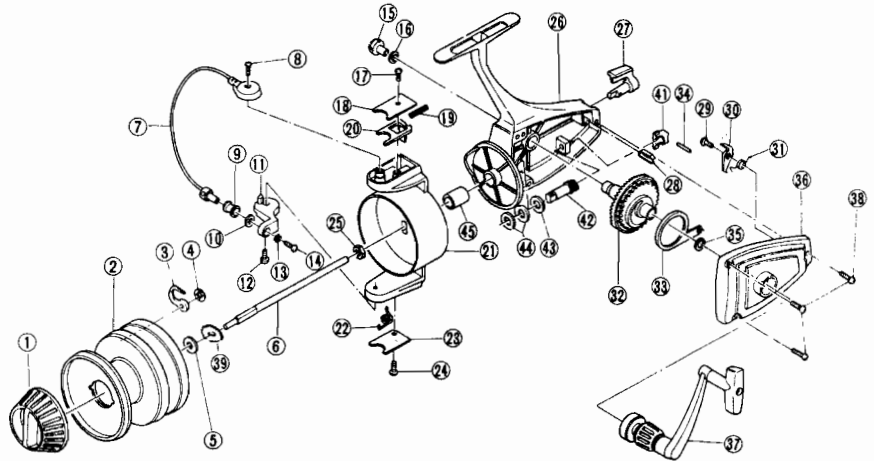
TEBCO 5010™ MS10™



WWW.REELDR.COM

Key No.	Part No.	Description
1	FA32	Drag Knob (5010)
	FA32-M	Drag Knob (MS10)
2	FA321	Spool Assy (5010)
	FA321-M	Spool Assy. (MS10)
3	CB67	Click Spring
4	CB68	Click Spring Retainer
5	JA45	Center Shaft Washer
6	FA315	Ctr. Shaft w/Click Brg.
7	CB347	Bail Assembly
8	CB51	Bail Screw
9	CB4	Line Roller
10	CB16	Line Roller Bushing
11	CB7	Bail Arm A
12	CB51	Bail Screw
13	CB102	Bail Axle Washer
14	CB108	Bail Axle Screw
15	CB54	Handle Retainer
16	CB105	Handle Retainer Washer
17	CB85	Bail Cover Screw
18	CB24	Bail Trip Cover
19	CB49	Bail Trip Spring
20	CB19	Bail Trip Lever

TEBCO 4050™



Key No.	Part No.	Description
21	FA9	Rotor
22	CB22	Bail Spring
23	CB87	Bail Spring Cover
24	CB85	Bail Screw
25	FA6	Rotor Retainer
26	FA301	Body (5010)
	FA301-M	Body (MS10)
27	FA59	Anti-Reverse Knob
28	CB69	Anti-Rev. Knob Spring
29	FB80	Anti-Rev. Pawl Screw
30	FA63	Anti-Reverse Pawl
31	CB61	Anti-Rev. Pawl Spring
32	JA12	Crank Gear
33	JA25	Oscillator Slider
34	FA62	Oscillator Slider Pin
35	FA27	Crank Gear Shim
36	FA323	Side Plate Assy. (5010)
	FA323-M	Side Plate Assy. (MS10)
37	FA318	Crank Handle Assembly
38	HB48	Side Plate Screw
39	JA56	Click Gear (See Shaft As
40	FA73	Handle Retainer Cover

Key No.	Part No.	Description
1	TA32	Drag Knob
2	TA321	Spool Assy.(Keys 3&4)
3	CB67	Click Spring
4	CB68	Click Spring Retainer
5	EA45	Center Shaft Washer
6	HA15	Center Shaft
7	FB347	Bail Assembly
8	EB51	Bail Screw
9	FB4	Line Roller
10	FB16	Line Roller Bushing
11	EB7	Bail Arm A
12	EB51	Bail Screw
13	CB102	Bail Axle Washer
14	CB108	Bail Axle Screw
15	TA54	Handle Retainer
16	FB56	Handle Retainer Washer
17	EB85	Bail Cover Screw
18	FB24	Bail Trip Cover
19	CB49	Bail Trip Spring
20	FB19	Bail Trip Lever
21	TA9	Rotor
22	FB22	Bail Spring

Key No.	Part No.	Description
23	FB87	Bail Spring Cover
24	EB51	Bail Screw
25	DB6	Rotor Nut
26	TA301	Body Assembly
27	HA59	Anti-Reverse Knob
28	HA69	Anti-Rev. Knob Spring
29	FB80	Anti-Rev. Pawl Screw
30	HA63	Anti-Reverse Pawl
31	CB61	Anti-Rev. Pawl Spring
32	HA12	Crank Gear
33	HA25	Oscillator Slider
34	HA62	Oscillator Slider Pin
35	FB92	Crank Gear Shim
36	TA323	Side Plate Assy.
37	HA318	Crank Handle Assembly
38	CB57	Side Plate Screw
39	HA56	Click Gear
41	HA53	Oscillator lder Link
42	HA11	Pinion
43	HA81	Pinion Washer
44	HA86	Bushing Washer
45	HA28	Pinion Bushing