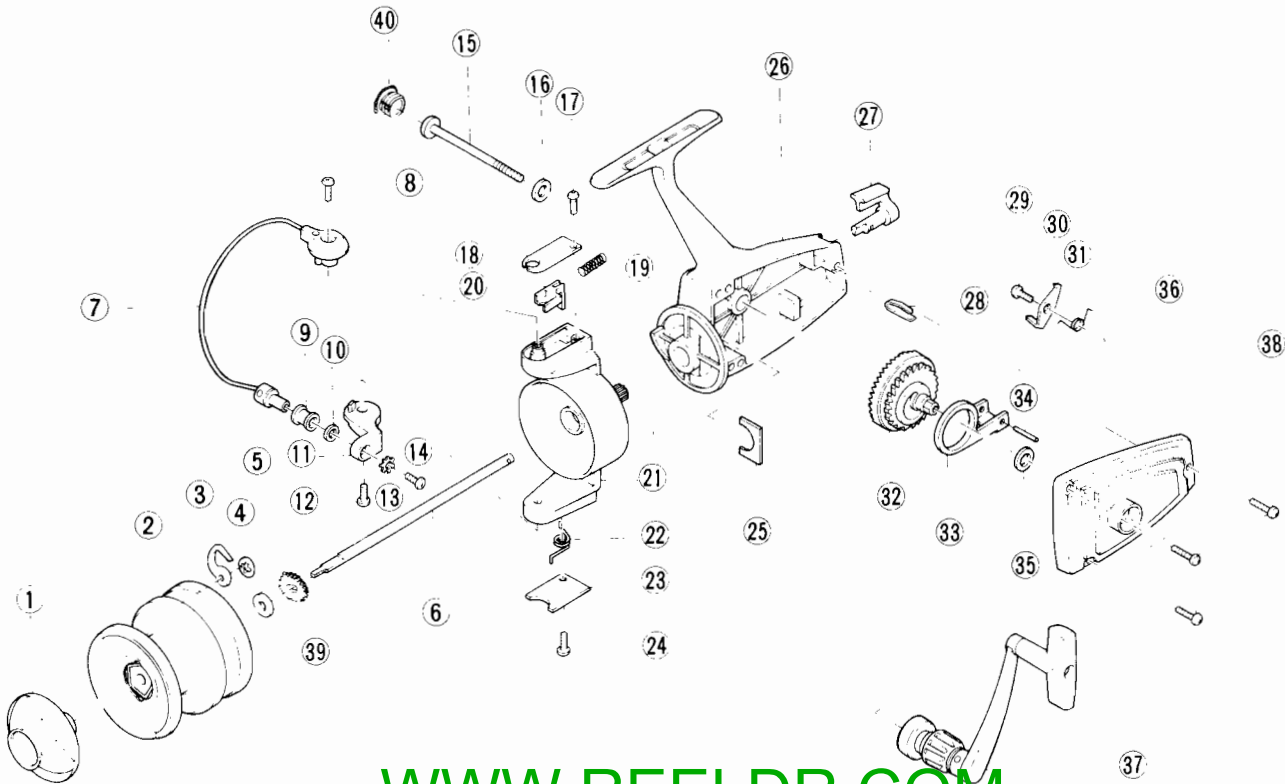


# ZEBCO 5010™

weight	10.5 oz / 297 g		
pound test	4	6*	8
yards	260	185	125
meters	238	169	114



[WWW.REELDR.COM](http://WWW.REELDR.COM)

## MODEL 5010

Key No.	Part No.	Description	Key No.	Part No.	Description
1	FA32	Drag Knob	21	FA9	Rotor
2	FA321	Spool Assy (Keys 3&4)	22	CB22	Bail Spring
3	CB67	Click Spring	23	CB87	Bail Spring Cover
4	CB68	Click Spring Retainer	24	CB85	Bail Screw
5	JA45	Center Shaft Washer	25	FA6	Rotor Retainer
6	FA315	Ctr. Shaft w/Click Bear.	26	FA301	Body
7	CB347	Bail Assembly	27	FA59	Anti-Reverse Knob
8	CB51	Bail Screw	28	CB69	Anti-Rev. Knob Spring
9	CB4	Line Roller	29	BJ80	Anti-Rev. Pawl Screw
10	CB16	Line Roller Bushing	30	FA63	Anti-Reverse Pawl
11	CB7	Bail Arm A	31	CB61	Anti-Rev. Pawl Spring
12	CB51	Bail Screw	32	JA12	Crank Gear
13	CB102	Bail Axle Washer	33	JA25	Oscillator Slider
14	CB108	Bail Axle Screw	34	FA62	Oscillator Slider Pin
15	CB54	Handle Retainer	35	FA27	Crank Gear Shim
16	CB105	Handle Retainer Washer	36	FA323	Side Plate Assembly
17	CB85	Bail Cover Screw	37	FA318	Crank Handle Assembly
18	CB24	Bail Trip Cover	38	HB48	Side Plate Screw
19	CB49	Bail Trip Spring	39	JA56	Click Gear (See Shaft Assy.)
20	CB19	Bail Trip Lever	40	FA73	Handle Retainer Cover

PLEASE ORDER BY PART NUMBER

Zebco Division Brunswick Corporation, Box 270, Tulsa, OK 74101 USA 918-836-5581