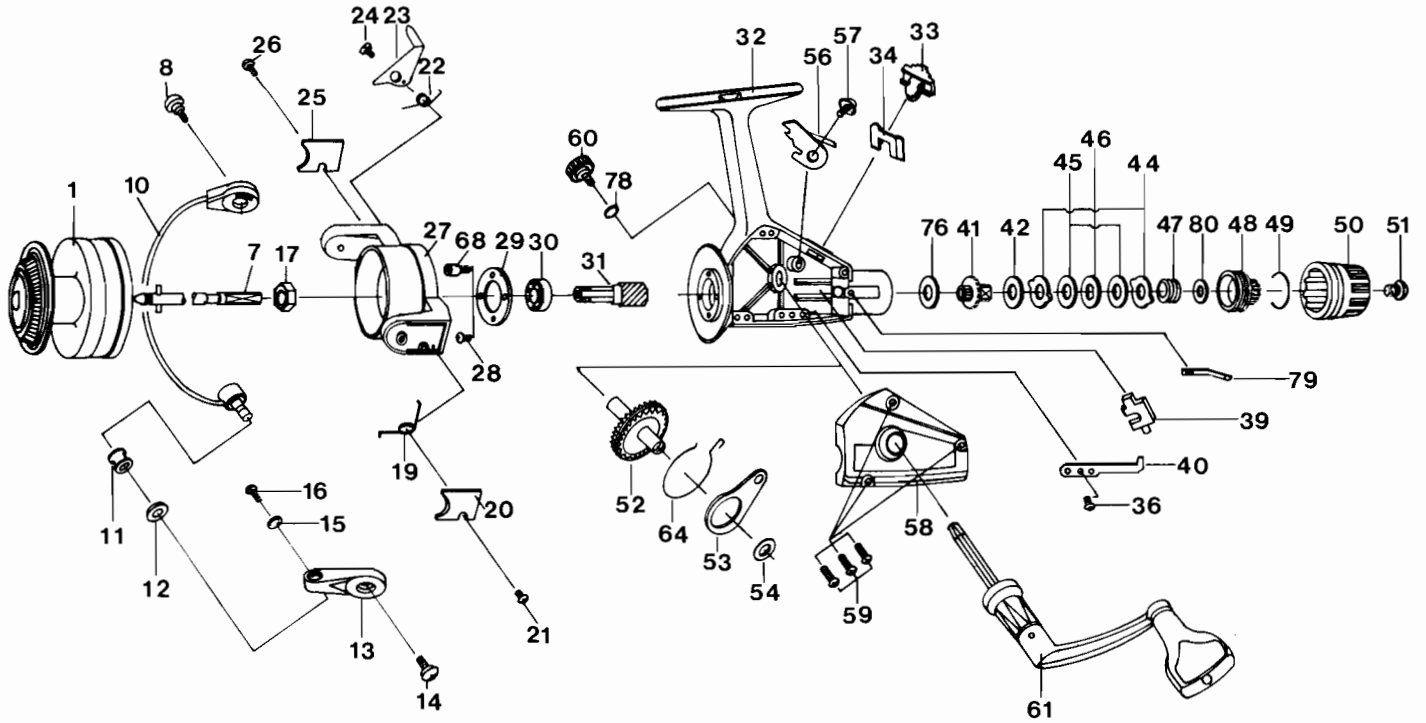


ZEBCO 4140



**KEY PART
NO. NO.**

KEY PART NO. NO.	DESCRIPTION
1 HS321	SPOOL ASSY.
7 HS315	CENTER SHAFT ASSY.
8 HS048	BAIL SCREW B
10 HS347	BAIL ASSY.
11 NB004	LINE ROLLER
12 HS016	LINE ROLLER BUSHING
13 PB007	BAIL ARM A
14 HS051	BAIL SCREW A
15 PB102	BAIL AXLE WASHER
16 FS108	BAIL AXLE SCREW
17 NB006	ROTOR NUT
19 PB022	BAIL SPRING
20 HS087	BAIL SPRING COVER
21 FS085	BAIL TRIP LVR CVR
22 NB049	TRIP LEVER SPRING
23 PB019	TRIP LEVER
24 RB037	TRIP LEVER SCREW
25 HS024	TRIP LEVER COVER
26 FS085	BAIL TRIP LVR CVR
27 HS009	ROTOR
28 NB080	BEARING RET. SCR.
29 NB040	BEARING RETAINER
30 HS028	BALL BEARING
31 BS011	PINION GEAR
32 HS301	BODY ASSY.
33 HS059	ANTI-REVERSE LEVER
34 HS090	ANTI-REVERSE LEVER SPRING
36 NB080	BEARING RET. SCR.

**KEY PART
NO. NO.**

KEY PART NO. NO.	DESCRIPTION
39 HS081	PIN SLIDER
40 HS068	CLICK CLAW
41 HS104	SLIDER HOLDER
42 HS046	DRAG WASHER 'C'
44 HS030	DRAG WASHER 'A'
45 RB039	DRAG WASHER 'B'
46 RB071	DRAG WASHER 'D'
47 RB031	DRAG COIL SPRING
48 HS112	DRAG NUT
49 HS070	DRAG RING
50 HS032	DRAG KNOB
51 FS079	DRAG SCREW
52 HS012	CRANK GEAR
53 HS025	OSCILLATING SLIDER
54 RB026	CRANK GEAR SHIM
56 HS063	ANTI-REVERSE PAWL
57 FS089	A/R SCREW
58 HS323	SIDE PLATE ASSY.
59 FS057	SLIDE PLATE SCR.
60 FS073	HANDLE CAP
61 HS318	HANDLE ASSY.
64 HS086	SLIDING SPRING
68 NB062	KICK LEVER PIN
76 HS035	DRAG WASHER 'E'
78 FS105	HNDLE SCR. WASH
79 FS033	BACK CLAW
80 HS036	REAR DRAG WASHER

WWW.REELDR.COM

Prices subject to change without notice. Prices do not include postage and handling.

PLEASE ORDER BY PART NUMBER

Rev. 9/88

Zebco Division Brunswick Corporation, Box 270, Tulsa, OK 74101 USA 918-836-5581

