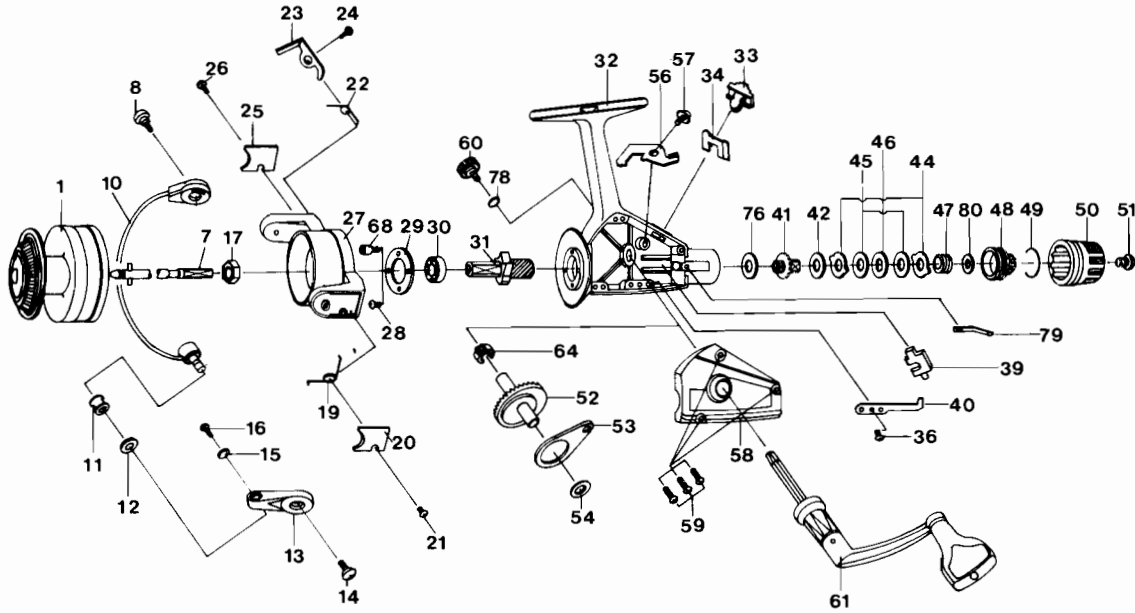




4110/4120



**Model
4110**

**Model
4120**

**Model
4110**

**Model
4120**

KEY NO.	DESCRIPTION	PART NO.	PART NO.	KEY NO.	DESCRIPTION	PART NO.	PART NO.
1	SPOOL ASSY	FS321	GS321	39	PIN SLIDER	FS081	FS081
7	CTR SHAFT ASSY	FS315	GS315	40	CLICK CLAW	FS068	FS068
8	BAIL SCREW B	FS048	GS048	41	SLIDER HOLDER	FS104	FS104
10	BAIL ASSY	FS347	GS347	42	DRAG WASHER C	FS046	FS046
11	LINE ROLLER	NB004	NB004	44	DRAG WASHER A	FS030	FS030
12	LN/ROLLER/BUSH.	FS016	FS016	45	DRAG WASHER B	VB039	VB039
13	BAIL ARM A	SB007	GS007	46	DRAG WASHER D	VB071	VB071
14	BAIL SCREW A	FS051	GS051	47	DRAG COIL SPR	VB031	VB031
15	BAIL AXLE WASH	FS102	FS102	48	DRAG NUT	FS112	FS112
16	BAIL AXLE SCREW	FS108	FS108	49	DRAG RET. RING	VB070	VB070
17	ROTOR NUT	RB006	RB006	50	DRAG KNOB	FS032	FS032
19	BAIL SPRING	SB022	RB022	51	DRAG SCREW	FS079	FS079
20	BAIL SPRING COVER	FS087	GS087	52	CRANK GEAR 4110-20	FS012	FS012
21	BAIL TRIP LVR CVR	FS085	FS085	53	OSCILLATOR SLIDER	FS025	FS025
22	TRIP LVR. SPR.	RB049	RB049	54	CRANK GEAR SHIM	RB026	RB026
23	TRIP LEVER	SB019	RB019	56	A/R PAWL	FS063	FS063
24	TRIP LEVER SCREW	RB037	RB037	57	A/R SCREW	FS089	FS089
25	TRIP LEVER COVER	FS024	GS024	58	SLIDE PLATE	FS323	GS323
26	BAIL TRIP LVR CVR	FS085	FS085	59	SLIDE PLATE SCR.	FS057	FS057
27	ROTOR 4110	FS009	GS009	60	HANDLE CAP	FS073	FS073
28	BEARING RET. SCR.	NB080	NB080	61	HANDLE ASSY	FS318	FS318
29	BEARING RET.	RB040	RB040	64	SLIDER SPRING	RB086	RB086
30	BALL BEARING	FS028	FS028	68	KICK LEVER PIN	RB062	RB062
31	PIN.GEAR 4110,20	FS011	FS011	76	DRAG WASHER E	FS035	FS035
32	BODY 4110	FS301	GS301	78	HNDLE SCR. WASH	FS105	FS105
33	A/R LEVER	FS059	FS059	79	BACK CLAW	FS033	FS033
34	A/R LVR. SP.	FS090	FS090	80	REAR DRAG WASH	FS036	FS036
36	BEARING RET. SCR.	NB080	NB080				

WWW.REELDR.COM

Prices subject to change without notice. Prices do not include postage and handling.

PLEASE ORDER BY PART NUMBER

Rev. 9/88

Zebco Division Brunswick Corporation, Box 270, Tulsa, OK 74101 USA 918-836-5581

