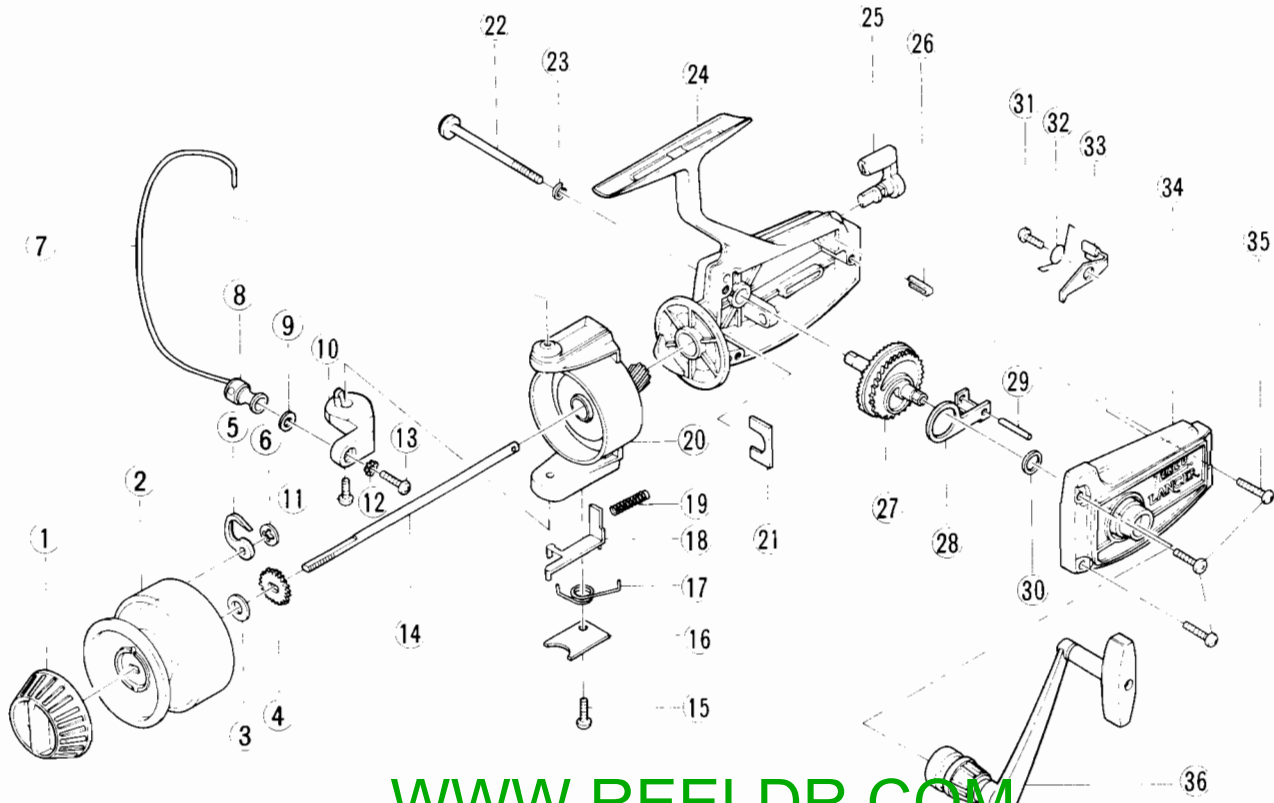


ZEBCO 4040™

weight	16.4 oz./ 464 g		
pound test	8	10*	12
yards	315	240	190
meters	288	220	174



MODEL 4040

Key No.	Part No.	Description	Key No.	Part No.	Description
1	EA32	Drag Knob	19	DA49	Bail Trip Spring
2	EA321	Spool Assy (Keys 5 & 6)	20	EA9	Rotor
3	EA45	Spool Seat Washer	21	DA6	Rotor Retainer
4	DA56	Click Gear	22	EA54	Handle Retainer
5	CB67	Click Spring	23	CB105	Handle Retainer Washer
6	CB68	Click Spring Retainer	24	EA301	Body
7	EA347	Bail Assembly	25	DA59	Anti-Reverse Knob
8	FB4	Line Roller	26	EA69	Anti-Rev. Knob Spring
9	FB16	Line Roller Bushing	27	EA12	Crank Gear
10	EA7	Bail Arm	28	EA25	Oscillator Slider
11	CB51	Bail Screw	29	EA62	Oscillator Slider Pin
12	CB102	Bail Axle Washer	30	EA73	Crank Gear Shim
13	CB108	Bail Axle Screw	31	FB80	Anti-Rev. Pawl Screw
14	EA315	Center Shaft	32	EA61	Anti-Rev. Pawl Spring
15	CB80	Bail Cover Screw	33	EA63	Anti-Reverse Pawl
16	EA87	Bail Spring Cover	34	EA323	Side Plate Assembly
17	EA22	Bail Spring	35	CB57	Side Plate Screw
18	EA19	Bail Trip Lever	36	EA318	Crank Handle Assembly

PLEASE ORDER BY PART NUMBER

Zebco Division Brunswick Corporation, Box 270, Tulsa, OK 74101 USA 918-836-5581

