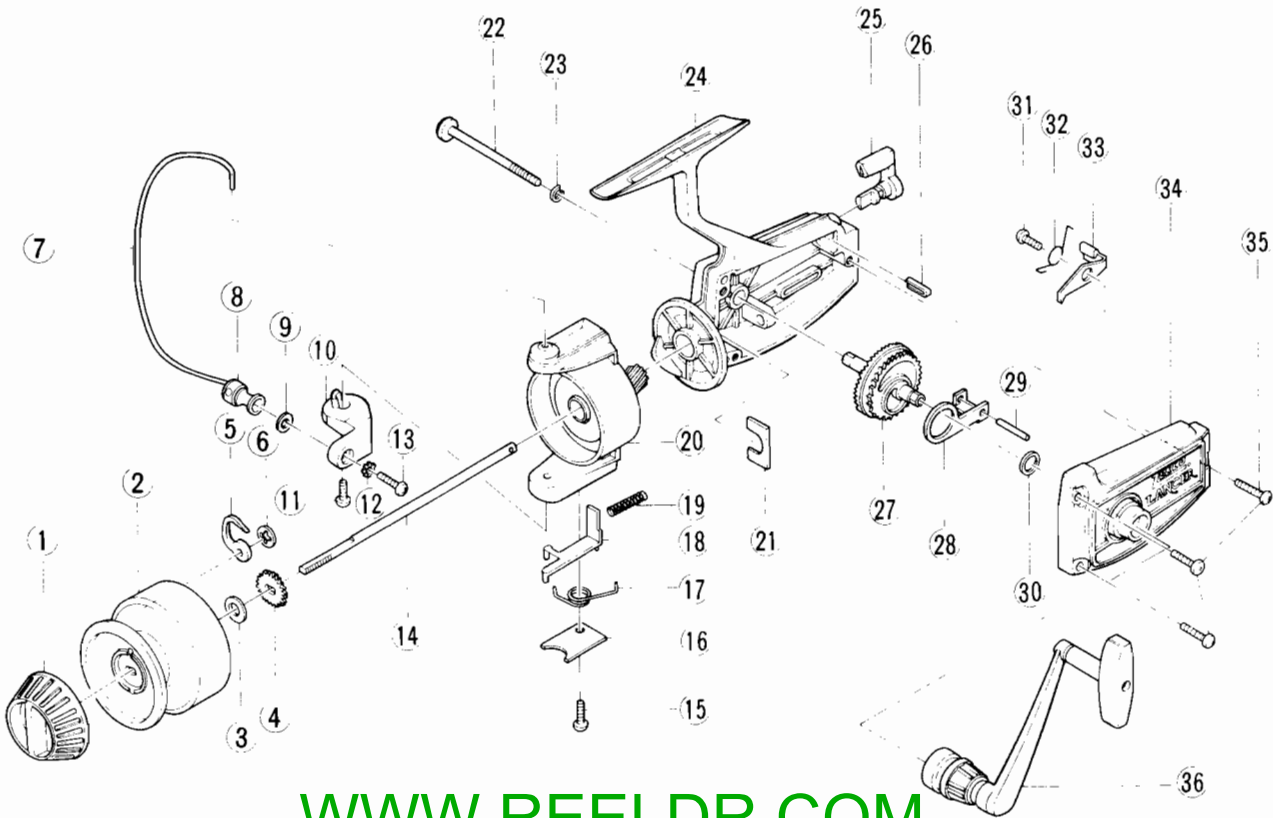


# ZEBCO 4020™

weight	14.6 oz./ 413 g	
pound test	6	8* 10
yards	330	220 165
meters	302	201 151



[WWW.REELDR.COM](http://WWW.REELDR.COM)

## MODEL 4020

Key No.	Part No.	Description	Key No.	Part No.	Description
1	DA32	Drag Knob	19	DA49	Bail Trip Spring
2	DA321	Spool Assy (Keys 5 & 6)	20	DA9	Rotor
3	DA45	Spool Seat Washer	21	DA6	Rotor Retainer
4	DA56	Click Gear	22	DA54	Handle Retainer
5	CB67	Click Spring	23	CB105	Handle Retainer Washer
6	CB68	Click Spring Retainer	24	DA301	Body
7	DA347	Bail Assembly	25	DA59	Anti-Reverse Knob
8	CB4	Line Roller	26	DA69	Anti-Rev. Knob Spring
9	CB16	Line Roller Bushing	27	DA12	Crank Gear
10	DA7	Bail Arm	28	DA25	Oscillator Slider
11	CB51	Bail Screw	29	DA62	Oscillator Slider Pin
12	CB102	Bail Axle Washer	30	DA73	Crank Gear Shim
13	CB108	Bail Axle Screw	31	FB80	Anti-Rev. Pawl Screw
14	DA315	Center Shaft	32	CB61	Anti-Rev. Pawl Spring
15	DB85	Bail Cover Screw	33	DA63	Anti-Reverse Pawl
16	DA87	Bail Spring Cover	34	DA323	Side Plate Assembly
17	DA22	Bail Spring	35	CB57	Side Plate Screw
18	DA19	Bail Trip Lever	36	DA318	Crank Handle Assembly

PLEASE ORDER BY PART NUMBER

Zebco Division Brunswick Corporation, Box 270, Tulsa, OK 74101 USA 918-836-5581