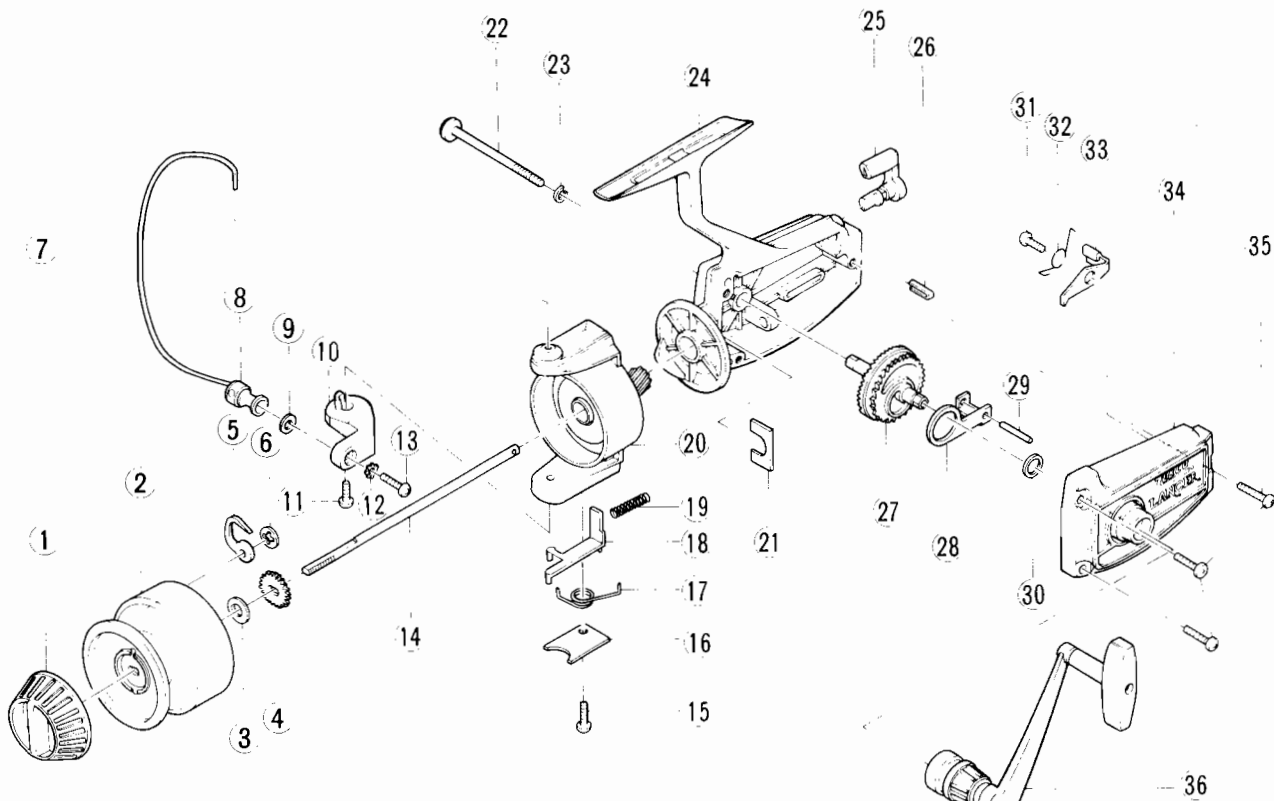


ZEBCO 4010™

weight	11.2 oz. 317 g		
pound test	4	6*	8
yards	260	185	125
meters	238	169	114



WWW.REELDR.COM

MODEL 4010

Key No.	Part No.	Description	Key No.	Part No.	Description
1	JA32	Drag Knob	19	JA49	Bail Trip Spring
2	JA321	Spool Assy (Keys 5 & 6)	20	JA9	Rotor
3	JA45	Spool Seat Washer	21	DA6	Rotor Retainer
4	JA56	Click Gear	22	JA54	Handle Retainer
5	CB67	Click Spring	23	CB105	Handle Retainer Washer
6	CB68	Click Spring Retainer	24	JA301	Body
7	JA347	Bail Assembly	25	DA59	Anti-Reverse Knob
8	CB4	Line Roller	26	DA69	Anti-Rev. Knob Spring
9	CB16	Line Roller bushing	27	JA12	Crank Gear
10	JA7	Bail Arm	28	JA25	Oscillator Slider
11	CB51	Bail Screw	29	JA62	Oscillator Slider Pin
12	CB102	Bail Axle Washer	30	JA73	Crank Gear Shim
13	CB108	Bail Axle Screw	31	FB80	Anti-Rev. Pawl Screw
14	JA315	Center Shaft	32	CB61	Anti-Rev. Pawl Spring
15	CB85	Bail Cover Screw	33	DA63	Anti-Reverse Pawl
16	JA87	Bail Spring Cover	34	JA323	Side Plate Assembly
17	JA22	Bail Spring	35	CB57	Side Plate Screw
18	JA19	Bail Trip Lever	36	JA318	Crank Handle Assembly

PLEASE ORDER BY PART NUMBER

Zebco Division Brunswick Corporation, Box 270, Tulsa, OK 74101 USA 918-836-5581