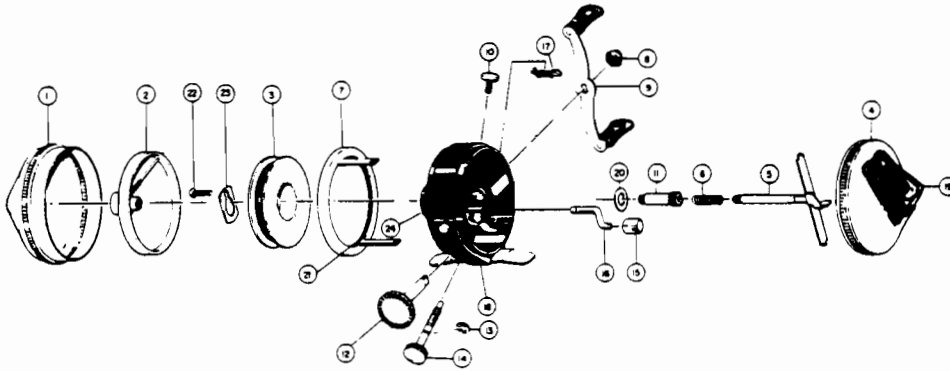


TEBCO 33™

weight	6 oz./227 g
pound test	8 10 12
yards	115 100 90
meters	108 91 82

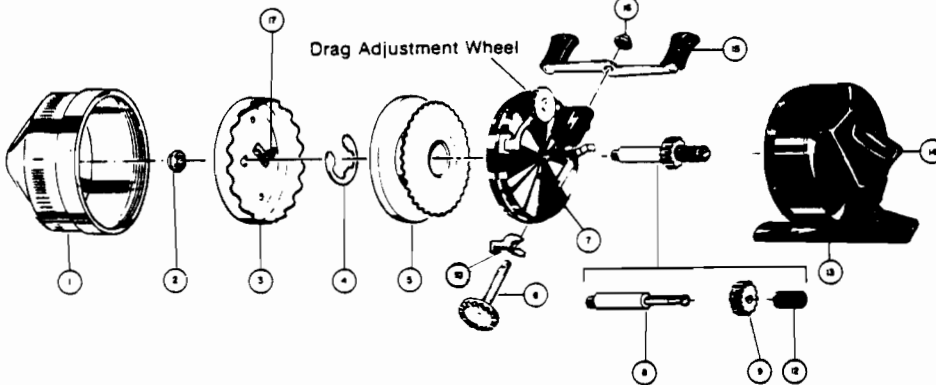


Key No.	Part No.	Description	Key No.	Part No.	Description
1	LZ324	Front Cover Assy.	11	LZ311	Pinion Gear
	LZ324-B	Front Cover Assy. (Blk.)	12	LZ308	Crank Shaft Assy.
2	NZ310	Spinner Head Assy.	13	LZ029	Retainer Clip
3	LZ021	Spool (Empty)	14	LZ032	Adjustment Screw
	LZ321-10T	Spool w/10# Trilene	15	BZ036	Adjustment Nut
4	LZ323	Back Cover w/Thmb. Brk.	16	LZ035	Clutch Link
	LZ323-B	Back Cover Assy. (Blk.)	17	LZ056	Cover Lock
5	LZ307	Brake Bar Assy.	18	LZ301	Body Assembly
6	JZ020	Center Shaft Spring	19	LZ309	Thumb Stop
7	LZ346	Brake Ring Assy.	20	LZ019	Pinion Gear Washer
8	AZ003	Crank Nut (or XZ003-1)	21	LZ053	Brake Ring Gasket
9	LZ318	Crank Handle Assy.	22	LZ040	Spool Latch Screw
	LZ318-B	Crank Handle (Black)	23	LZ034	Spool Latch
10	LZ055	Cover Lock Screw	24	LZ017	Center Bushing

WWW.REELDR.COM

TEBCO 404™

weight	7.5 oz./213 g
pound test	8 10 12 15
yards	115 85 80 75
meters	108 78 73 69



Key No.	Part No.	Description	Key No.	Part No.	Description
1	EZ324	Front Cover Assy.	9	JZ011	*Pinion
2	JZ006	Spinner Head Nut	10	EZ014	*Anti-Rev. Actuator
3	EZ310	Spinner Head	12	XZ020	*Center Shaft Spring
4	XZ034	Spool Clip	13	EZ323	Back Cover w/Th. Brk.
5	EZ021	Spool (Empty)	14	XZ009-1	Thumb Brake
	EZ321-15T	Spool w/15# Trilene	15	EZ318-1	Crank Handle Assy.
6	EZ308	Crank Shaft	16	XZ003-1	Crank Nut
7	EZ301	Body Assembly	17	EZ027	Spinner Head Spring
8	*EZ015	Center Shaft Assy.			

*Available As One Unit,
EZ315 Center Shaft Assy.

NOTE: Model 404 reels manufactured prior to May 1, 1982 use the following parts:
 EZ301-B Body Assembly (B)
 EZ308-B Crank Shaft Assy. (B)
 EZ315-B Center Shaft Assy. (B)
 EZ014 Anti-Rev. Actuator