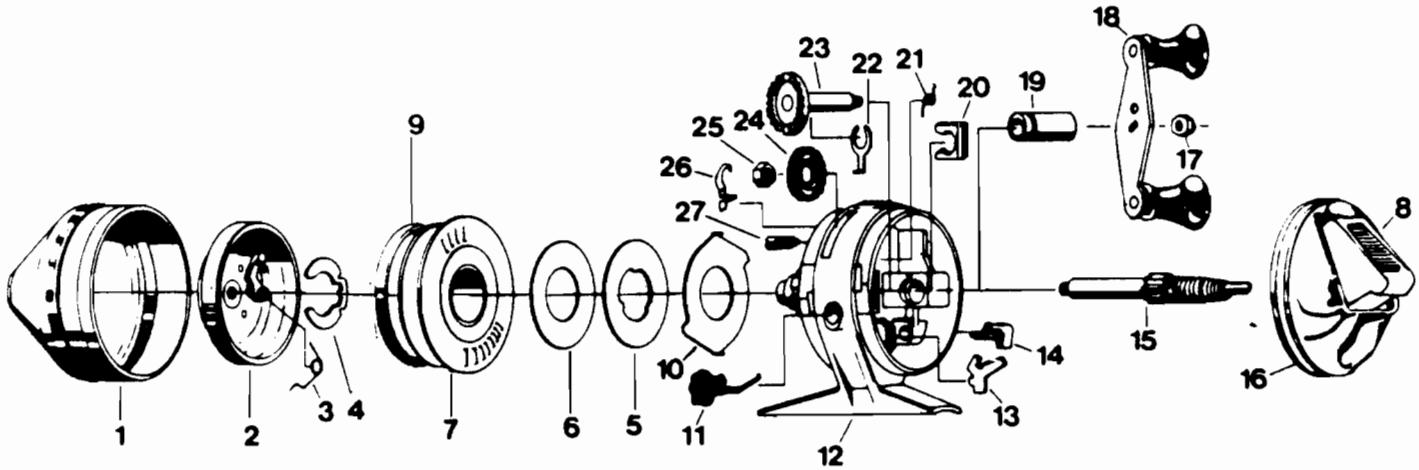


# TEBCO 33/33 Anniversary



## KEY PART

NO. NO.	DESCRIPTION
1 RY324-2	FRONT COVER S/A 33
1 RY324-3	FRONT COVER S/A
2 RY310	SPINNERHEAD ASSEMBLY
3 RY049	SPRING - PICKUP ARM
4 RY034	RETAINER CLIP
5 CJ040	SPOOL WASHER
6 CJ108	FLAT WASHER
7 RY021-1	SPOOL
7 RY321-10Z	WOUND SPOOL 10# MONO HI
8 RY309	THUMB STOP S/A
9 RY036-1	SPOOL LIP
10 RY027	CLUTCH RING
11 RY014	BAIT CLICK
12 RY301-2	BODY ASSY. 33
12 RY301-3	BODY S/A WARRANTY
13 RY060	ANTI-REVERSE PAWL

## KEY PART

NO. NO.	DESCRIPTION
14 RY002	ANTI-REVERSE KNOB
15 RY315	CENTER SHAFT ASSY
16 RY323	BACK COVER S/A 33
16 RY323-2	BACK COVER S/A
17 AZ003	CRANK NUT
18 RY318-3	CRANK HANDLE S/A
19 RY026	CRANK SHAFT BUSHING
20 RY029	RETAINER CLIP - PLASTIC
21 RY064	SPRING-DRAG ADJUSTMENT
22 JY061	PAWL ACTUATOR
23 RY308	CRANK SHAFT ASSY
24 RY032	DRAG ADJUSTMENT WHEEL
25 RY077	HEX NUT
26 RY033	RATCHET SPRING
27 BJ054	CLUTCH SCREW

August, 1988, new revisions of both RY321-10Z and RY036-1 require using the two parts as a set. They do not work separately with a previous revision.

[WWW.REELDR.COM](http://WWW.REELDR.COM)

Prices subject to change without notice. Prices do not include postage and handling.

**PLEASE ORDER BY PART NUMBER**

Rev. 9/88

Zebco Division Brunswick Corporation, Box 270, Tulsa, OK 74101 USA 918-836-5581

