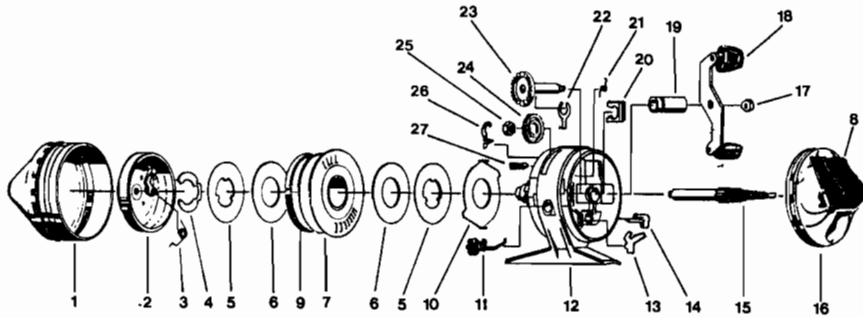


ZEBCO 33™

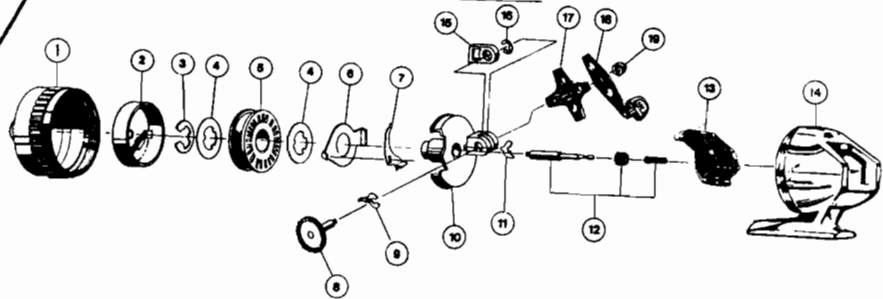


Key No.	Part No.	Description
1	RY324	Front Cover Assembly
2	RY310	Spinnerhead Assembly
3	RY049	Pick-Up Arm Spring
4	RY034	Spool Retainer Clip
5	CJ040	Spool Washer (Metal)
6	CJ108	Flat Washer
7	RY021	Spool w/Lip (empty)
	RY321-10H	Spool w/10# High Performance Line
8	RY309	Thumb Brake
9	RY036	Spool Lip (Line Guard)
10	RY027	Clutch Ring
11	RY014	Bait Click
12	RY301	Body (12,11,21,24-27)
13	RY060	Anti-Reverse Pawl
14	RY002	Anti-Reverse Actuator
15	RY315	Center Shaft Assembly
16	RY323	Back Cover w/Th. Stop
17	AZ003	Locking Crank Nut
18	RY318	Handle Assembly
19	RY026	Crank Bearing
20	RY029	Bearing Retainer Clip
21	RY064	Drag Adjustment Spring
22	JY061	Pawl Actuator
23	RY308	Crank Shaft Assembly
24	RY032	Drag Adjustment Wheel
25	RY077	Drag Adjustment Nut
26	RY033	Spool Click Spring
27	BJ054	Clutch Screw

WWW.REELDR.COM

ZEBCO LANCER™ 10/20™

weight	8.1 oz./230g			20SR/520
pound test	6	8	10	
yards	100	100	85	



Key No.	Part No.	Description	Key No.	Part No.	Description
1	JY324-3	Front Cover Assy. 1020	10	JY301	Body Assembly
	ZZ324-2	Front Cover Assy. 20SR	11	JY060	Anti-Reverse Pawl
2	NY324	Front Cover Assy. 520	12	NY315	Center Shaft Assembly
	RY310	Spinnerhead Assy. 1020	13	NY009	Thumb Brake
	NY310	Spinnerhead Assy.		NY009-2	Thumb Brake 20SR
3	JY034	Spool Clip	14	NY323-2	Back Cvr. w/Th Br 1020
4	NY040	Spool Washer		NY323-3	Back Cvr. w/Th Br 20SR
5	JY021	Spool (Empty)		NY323	Back Cvr. w/Th Br 520
	JY321-8H	Spool w/8# H.P. Line	15	JY054	Slide Drag Actuator
	JY321-8P	Spool w/8# Zebco Line	16	JY121	Retainer Clip
6	NY027	Clutch Ring	17	NY026	Crank Bushing Star Dr.
7	RY033	Spool Click Spring	18	NY318	Handle Assembly
8	JY308	Crank Shaft Assembly		RY318-2	Handle Assembly 20SR
9	JY061	Pawl Actuator	19	AZ003	Crank Nut (Locking)

NOTE: Should the anti-reverse pawl (11) drop out while changing spool, be sure to place it back into body subassembly with largest flange pointing toward base of reel as shown in schematic. Make sure the arm of the pawl actuator (9) rests in the center of the anti-reverse pawl to reassemble.