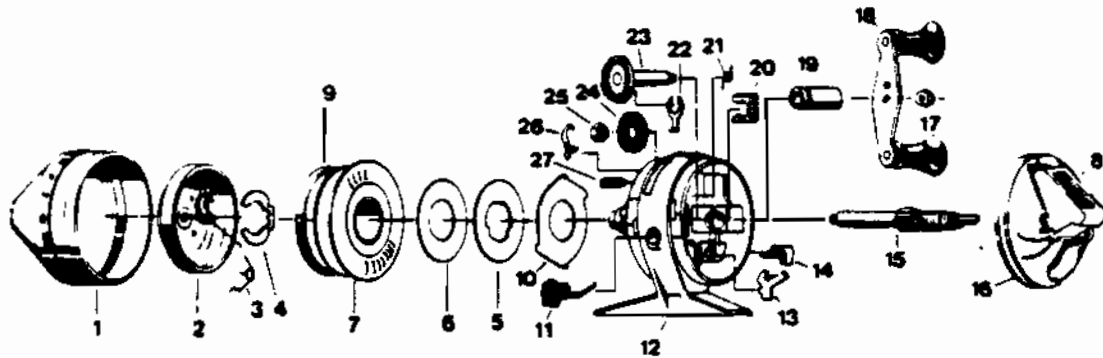


# ZEBCO 33AN



KEY PART NO. NO.	DESCRIPTION
1 RY324-5	FRONT COVER
2 RY310-1	SPINNERHEAD ASSY.
3 RY049-1	PICK UP ARM SPRING
4 RY034-1	SPOOL RETAINER CLIP
5 CJC40-1	SPOOL WASHER (METAL)
6 CJ108-1	FLAT WASHER
7 RY021-1	SPOOL (EMPTY)
7 RY321-10H	WOUND SPOOL 10# MONO H.P.
8 RY309-1	THUMB BRAKE
9 RY036-1	SPOOL LIP
10 RY027-1	CLUTCH RING
11 RY014-1	BAIT CLICK
12 RY301-2	BODY ASSY.
13 RY060-1	ANTI-REVERSE PAWL
14 RY002	ANTI-REVERSE KNOB
15 RY315-3	CENTER SHAFT ASSY.
16 RY323	BACK COVER S/A
17 AZ003	CRANK NUT
18 RY318-3	CRANK HANDLE S/A
19 RY026-1	CRANK BEARING
20 RY029-1	BEARING RETAINER CLIP
21 RY064-1	DRAG ADJUSTMENT SPRING
22 JY061	PAWL ACTUATOR
23 RY308	CRANK SHAFT ASSY
24 RY332-1	DRAG ADJ. WHEEL S/A
25 RY077-1	HEX NUT
26 RY033	RATCHET SPRING
27 BJ054-2	CLUTCH SCREW

[WWW.REELDR.COM](http://WWW.REELDR.COM)

Prices subject to change without notice. Prices do not include postage and handling.

**PLEASE ORDER BY PART NUMBER**

Rev. 11/90

Zebco Division Brunswick Corporation, Box 270, Tulsa, OK 74101 USA 918-836-5581

