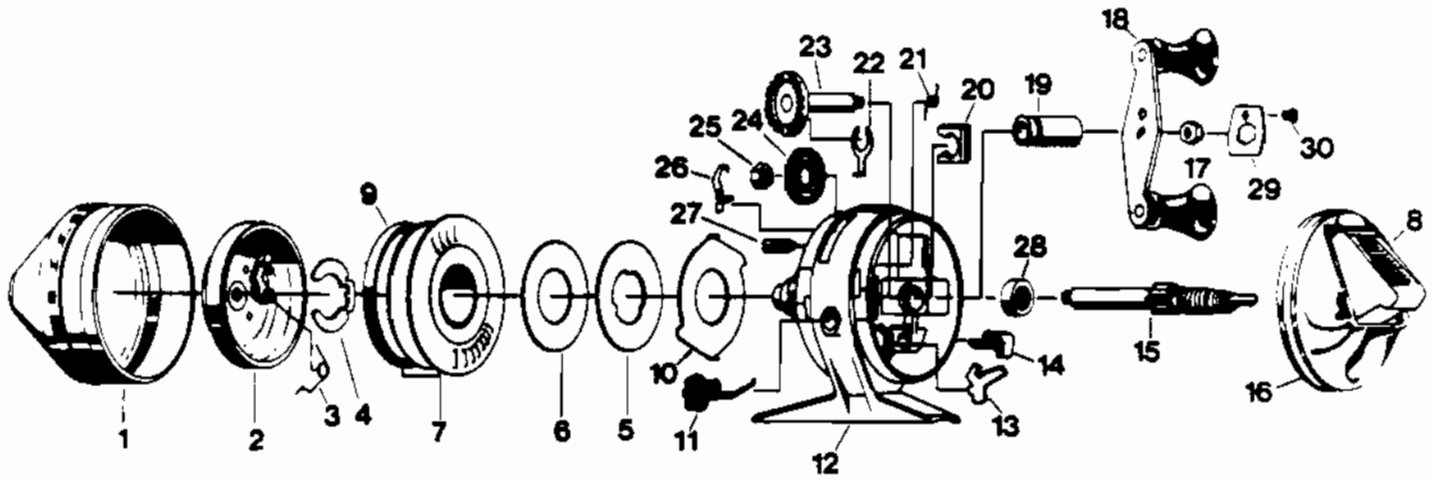


# ZEBCO 33 CLASSIC



[WWW.REELDR.COM](http://WWW.REELDR.COM)

Key No.	Part No.	Description	Key No.	Part No.	Description
1	VY324	FRONT COVER	26	RY033	RATCHET SPRING
2	RY310-1	SPINNERHEAD ASSY.	27	BJ054-2	CLUTCH SCREW
3	RY049	SPRING - PICKUP ARM	28	RY030	BALL BEARING
4	RY034-1	SPOOL RETAINER CLIP	29	VY056	NUT LOCK
5	CJ040-1	SPOOL WASHER (METAL)	30	VY057	SCREW
6	CJ108-1	FLAT WASHER			
7	RY021-1	SPOOL (EMPTY)			
7	RY321-10H	WOUND SPOOL 10# MONO H.P.			
8	VY309	THUMB STOP S/A			
9	RY036-1	SPOOL LIP			
10	RY027-1	CLUTCH RING			
11	RY014-1	BAIT CLICK			
12	VY301-3	BODY			
13	RY060-1	ANTI-REVERSE PAWL			
14	RY002	ANTI-REVERSE KNOB			
15	RY315-1	CENTER SHAFT			
16	VY323	BACK COVER S/A			
17	VY003	CRANK NUT			
18	KZ318-6	HANDLE ASSY			
19	RY026-1	CRANK BEARING			
20	RY029-1	BEARING RETAINER CLIP			
21	RY064-1	DRAG ADJUSTMENT SPRING			
22	JY061	PAWL ACTUATOR			
23	RY308	CRANK SHAFT ASSY			
24	RY332-2	DRAG WHEEL ASSY.			
25	RY077-1	HEX NUT			

Prices subject to change without notice. Prices do not include postage and handling.

**PLEASE ORDER BY PART NUMBER**

Rev. 5/93

Zebco Division Brunswick Corporation, Box 270, Tulsa, OK 74101 USA 918-836-5581

