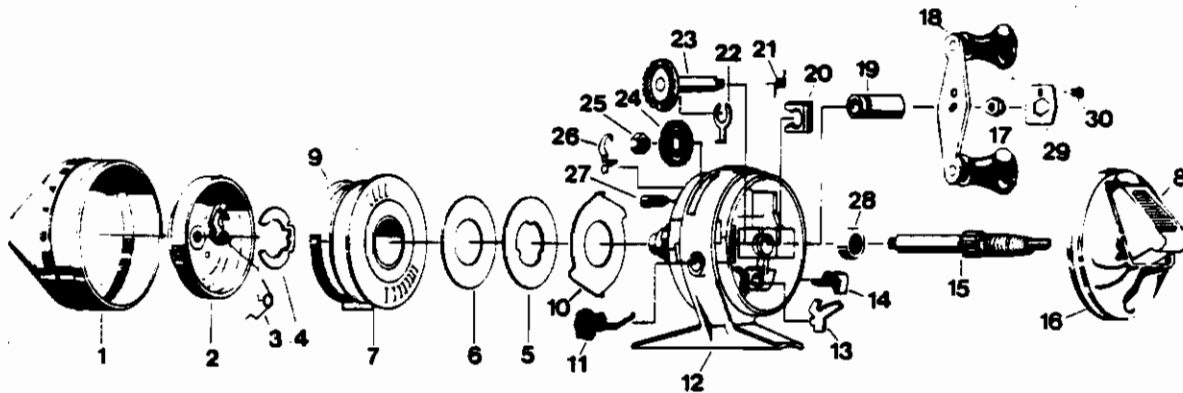


# ZEBCO 33 CLASSIC®



**KEY PART  
NO. NO.**

KEY PART NO. NO.	DESCRIPTION
1 VY324	FRONT COVER
2 RY310-2	SPINNERHEAD ASSY.
3 RY049	SPRING - PICKUP ARM
4 RY034-1	SPOOL RETAINER CLIP
5 CJ040-1	SPOOL WASHER (METAL)
6 CJ108-1	FLAT WASHER
7 RY021-1	SPOOL (EMPTY)
7 RY321-10Z	WOUND SPOOL 10# MONO H.P.
8 VY309	THUMB STOP S/A
9 RY036-1	SPOOL LIP
10 RY027-1	CLUTCH RING
11 RY014	BAIT CLICK
12 VY301	BODY S/A WARRANTY
13 RY060-1	ANTI-REVERSE PAWL
14 RY002	ANTI-REVERSE KNOB
15 RY315-1	CENTER SHAFT
16 VY323	BACK COVER S/A
17 VY003	CRANK NUT
18 VY318	CRANK HANDLE S/A
19 RY026-1	CRANK BEARING
20 RY029-1	BEARING RETAINER CLIP
21 RY064-1	DRAG ADJUSTMENT SPRING
22 JY061	PAWL ACTUATOR
23 RY308	CRANK SHAFT ASSY
24 RY332-2	DRAG WHEEL ASSY.
25 RY077-1	HEX NUT
26 RY033	RATCHET SPRING
27 BJ054-2	CLUTCH SCREW
28 RY030	BALL BEARING
29 VY056	NUT LOCK
30 VY057	SCREW

August, 1988, new revisions of both RY321-10Z and RY036-1 require using the two parts as a set. They do not work separately with a previous revision.

[WWW.REELDR.COM](http://WWW.REELDR.COM)

Prices subject to change without notice. Prices do not include postage and handling.

**PLEASE ORDER BY PART NUMBER**

Rev. 11/90

Zebco Division Brunswick Corporation, Box 270, Tulsa, OK 74101 USA 918-636-5581

**BC**  
BRUNSWICK