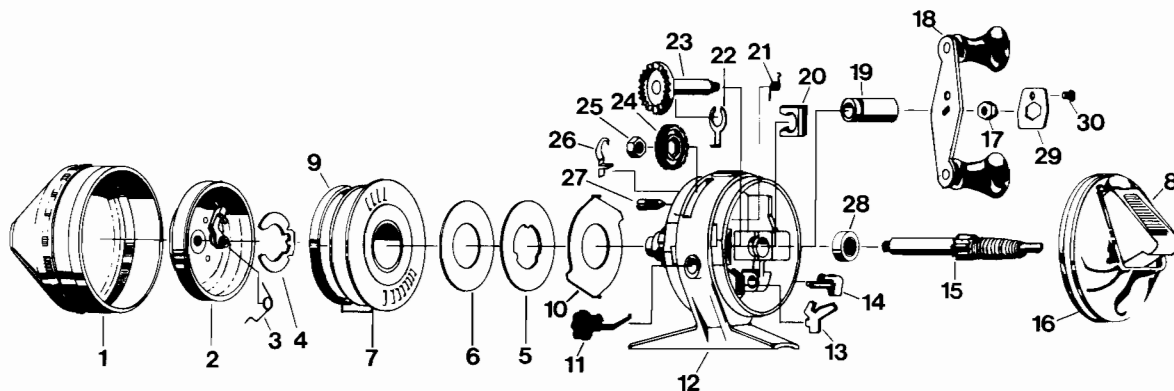


# TEBCO 33 CLASSIC®



## KEY PART

NO. NO.	DESCRIPTION
1 VY324	FRONT COVER
2 RY310	SPINNERHEAD ASSEMBLY
3 RY049	SPRING - PICKUP ARM
4 RY034	RETAINER CLIP
5 CJ040	SPOOL WASHER
6 CJ108	FLAT WASHER
7 RY021-1	SPOOL
7 RY321-10Z	WOUND SPOOL 10# MOND HI
8 VY309	THUMB STOP S/A
9 RY036-1	SPOOL LIP
10 RY027	CLUTCH RING
11 RY014	BAIT CLICK
12 VY301	BODY S/A WARRANTY
13 RY060	ANTI-REVERSE PAWL
14 RY002	ANTI-REVERSE KNOB

## KEY PART

NO. NO.	DESCRIPTION
15 RY315	CENTER SHAFT ASSY
16 VY323	BACK COVER S/A
17 VY003	CRANK NUT
18 VY318	CRANK HANDLE S/A
19 RY026	CRANK SHAFT BUSHING
20 RY029	RETAINER CLIP - PLASTIC
21 RY064	SPRING-DRAG ADJUSTMENT
22 JY061	PAWL ACTUATOR
23 RY308	CRANK SHAFT ASSY
24 RY032-2	DRAG ADJUSTMENT WHEEL
25 RY077	HEX NUT
26 RY033	RATCHET SPRING
27 BJ054	CLUTCH SCREW
28 RY030	BALL BEARING
29 VY056	NUT LOCK
30 VY057	SCREW

August, 1988, new revisions of both RY321-10Z and RY036-1 require using the two parts as a set. They do not work separately with a previous revision.

[WWW.REELDR.COM](http://WWW.REELDR.COM)

Prices subject to change without notice. Prices do not include postage and handling.

**PLEASE ORDER BY PART NUMBER**

Rev. 9/88

Zebco Division Brunswick Corporation, Box 270, Tulsa, OK 74101 USA 918-836-5581

