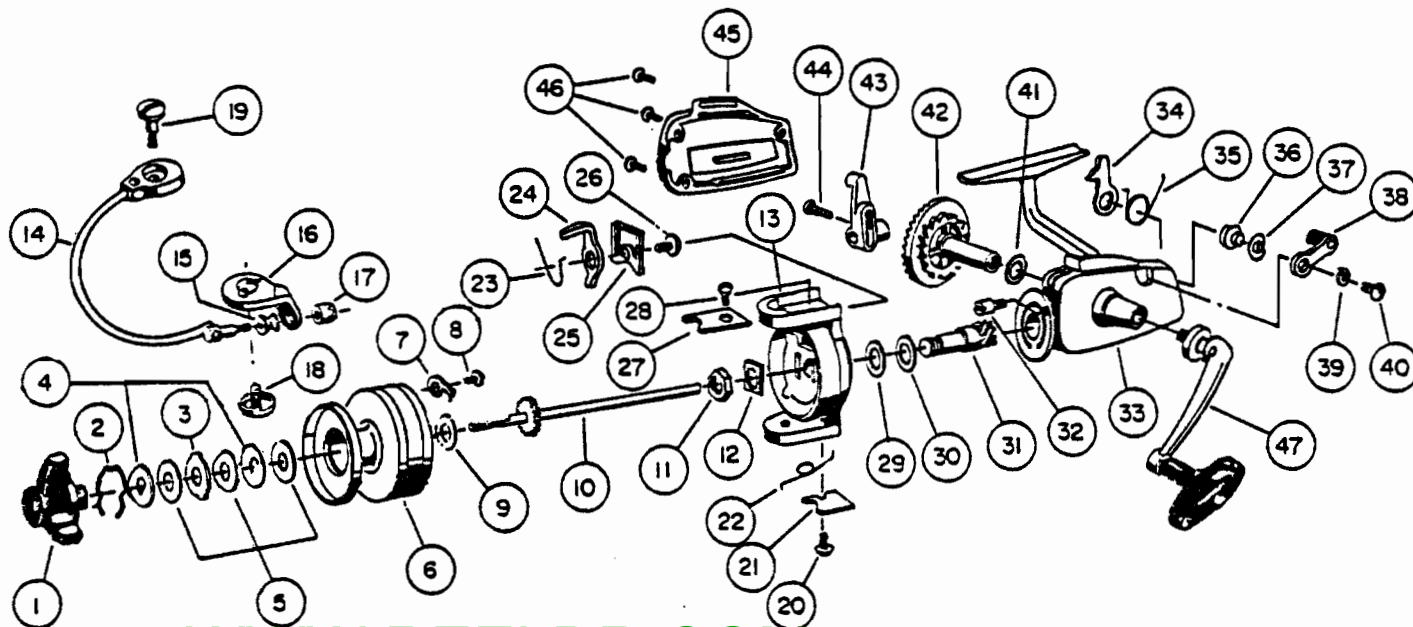


# ZEBCO 3040™

weight	13.0 oz./300g		
pound-test	10	12	14
yards	270	200	170
meters	247	183	155
gear ratio	4:1		



[WWW.REELDR.COM](http://WWW.REELDR.COM)

KEY No.	PART No.	NEW PART No.	DESCRIPTION	PRICE	KEY No.	PART No.	NEW PART No.	DESCRIPTION	PRICE
1	BB32		DRAG KNOB	\$1.90	25	BB24		BAIL LEVER PLATE	\$ .25
2	BB36	AB36	*RETAINING SPRING	.25	26	BB84		TRIP LEVER SCREW	.75
3	BB46	AB46	*KEY WASHER	.40	27	BB106		BAIL CAM PLATE	.75
4	BB39	AB39	*DRAG WASHER	.40	28	BB85	AB85	CAM PLATE SCREW	.25
5	BB30	AB30	*LEATHER WASHER	.40	29	BB77		ROTOR WASHER	.25
6	BB21		*SPOOL	SEE ASSY.	30	BB76		PINION THRUST WASHER	.25
7	BB68	AB68	*CLICK	.45	31	BB11		PINION	3.00
8	BB110	AB110	*CLICK SCREW	.25	32	BB111	AB111	BAIL TRIP BOSS	.55
9	BB56		SPOOL SEAT WASHER	.25	33	BB301		BODY	4.00
10	BB15		MAIN SHAFT	1.10	34	BB63		ANTI-REVERSE PAWL	.80
11	BB6		ROTOR NUT	.55	35	BB61		ANTI-REVERSE SPRING	\$ .55
12	BB65		PINION LOCK WASHER	.40	36	BB60		ANTI-REVERSE CAM	.95
13	BB9		ROTOR	2.50	37	BB74	AB74	ANTI-REVERSE CAM WSHR.	.25
14	BB47		BAIL	1.75	38	BB59		ANTI-REVERSE LEVER	.75
15	BB4	AB4	LINE ROLLER	1.25	39	BB55	AB55	ANTI-REVERSE LEVER WSHR.	.25
16	BB7		BAIL HINGE	1.60	40	BB80	AB80	ANTI-REVERSE LEVER SCREW	.25
17	BB14	AB14	BAIL NUT	1.10	41	BB26	AB26	GEAR WASHER	.25
18	BB51	AB51	BAIL HINGE SCREW	.80	42	BB12		MAIN GEAR	1.60
19	BB100	AB100	BAIL CAM SCREW	.70	43	BB25		OSCILLATOR	.75
20	BB112	AB112	HINGE COVER SCREW	.75	44	BB29	AB29	OSCILLATOR PIN	.25
21	BB87		HINGE COVER	.75	45	BB23		SIDE COVER	1.95
22	BB44	AB44	HINGE SPRING	.55	46	BB57	AB57	COVER SCREW	.55
23	BB22	AB22	TRIP LEVER SPRING	.45	47	BB318		HANDLE ASSY.	4.00
24	BB19		BAIL TRIP LEVER	1.25				*AVAILABLE AS ONE UNIT, BB321 SPOOL ASSY.	4.95

PLEASE ORDER BY NEW PART NUMBER WHEN APPLICABLE

Zebco Division Brunswick Corporation, Box 270, Tulsa OK 74101 USA 918-836-5581

