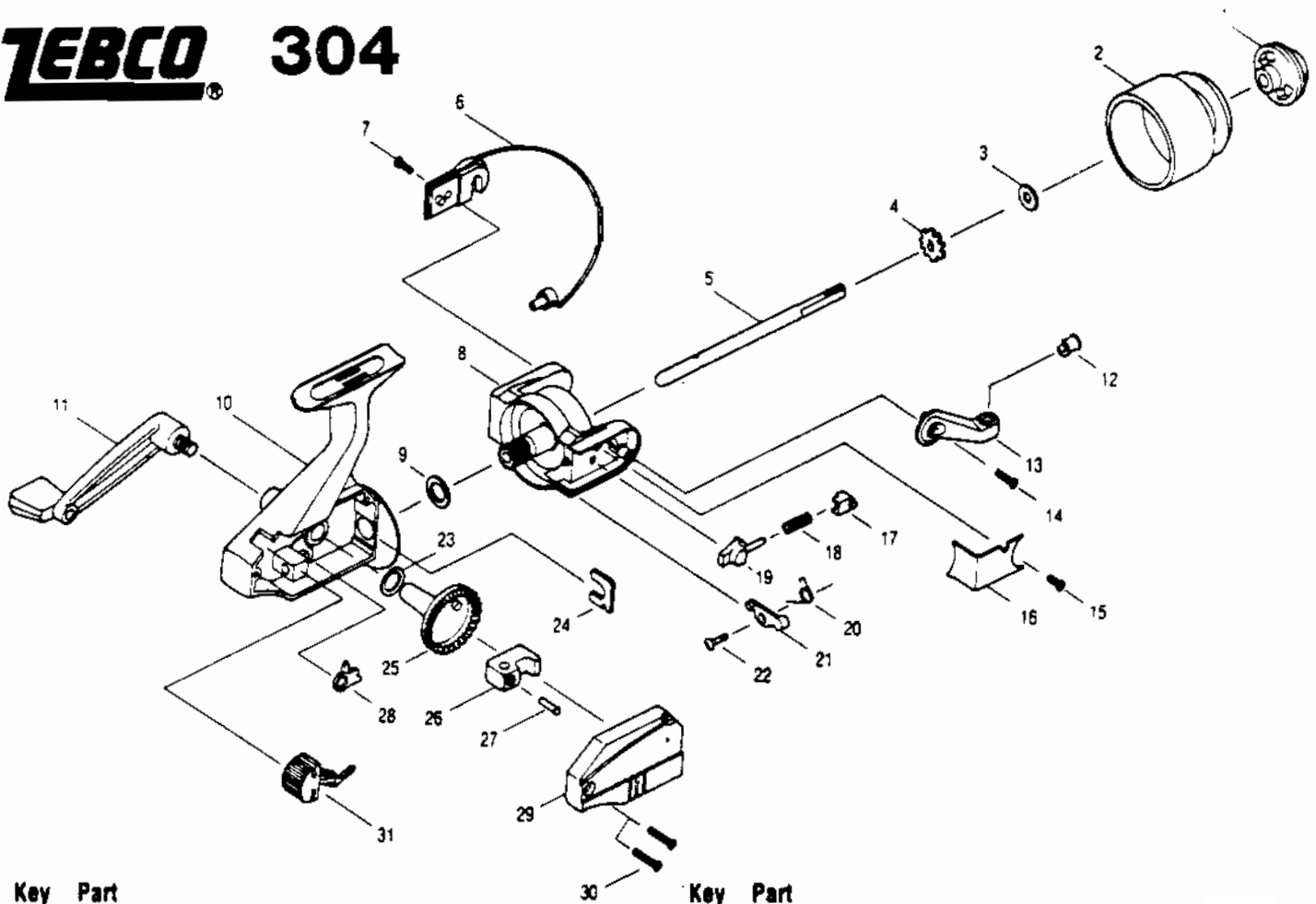


# ZEBCO® 304



Key No.	Part No.	Description
1	LQ332	DRAG KNOB ASSY.
2	LQ021	SPOOL
3	LQ056	SPOOL WASHER
4	LQ068	CLICK CLAW
5	LQ015	MAIN SHAFT
6	LQ347	BAIL ASSY.
7	LQ048	BAIL HOLDER SCREW
8	LQ309	ROTOR ASSY.
9	LQ024	PINION GEAR WASHER
10	LQ001	BODY
11	LQ318	HANDLE ASSY.
12	LQ004	LINE ROLLER
13	LQ007	ARM LEVER
14	LQ051	ARM LEVER SCREW
15	LQ085	KICK LEVER COVER SCREW
16	LQ087	BAIL SPRING COVER
17	LQ029	KICK LEVER 'B'
18	LQ022	BAIL SPRING
19	LQ020	SPRING HOLDER
20	LQ049	KICK LEVER SPRING
21	LQ019	KICK LEVER
22	LQ037	KICK LEVER SCRWE
23	LQ084	CRANK GEAR SHIM
24	LQ006	ROTOR RETAINER
25	LQ012	DRIVE GEAR
26	LQ025	O/S SLIDER

Key No.	Part No.	Description
27	LQ062	O/S PIN
28	LQ060	STOPPER
29	LQ023	BODY COVER
30	LQ057	BODY COVER SCREW
31	LQ090	STOPPER LEVER

WWW.REELDR.COM

Prices subject to change without notice. Prices do not include postage and handling.

**PLEASE ORDER BY PART NUMBER**

Rev. 5/93

Zebco Division Brunswick Corporation, Box 270, Tulsa, OK 74101 USA 918-836-5581

