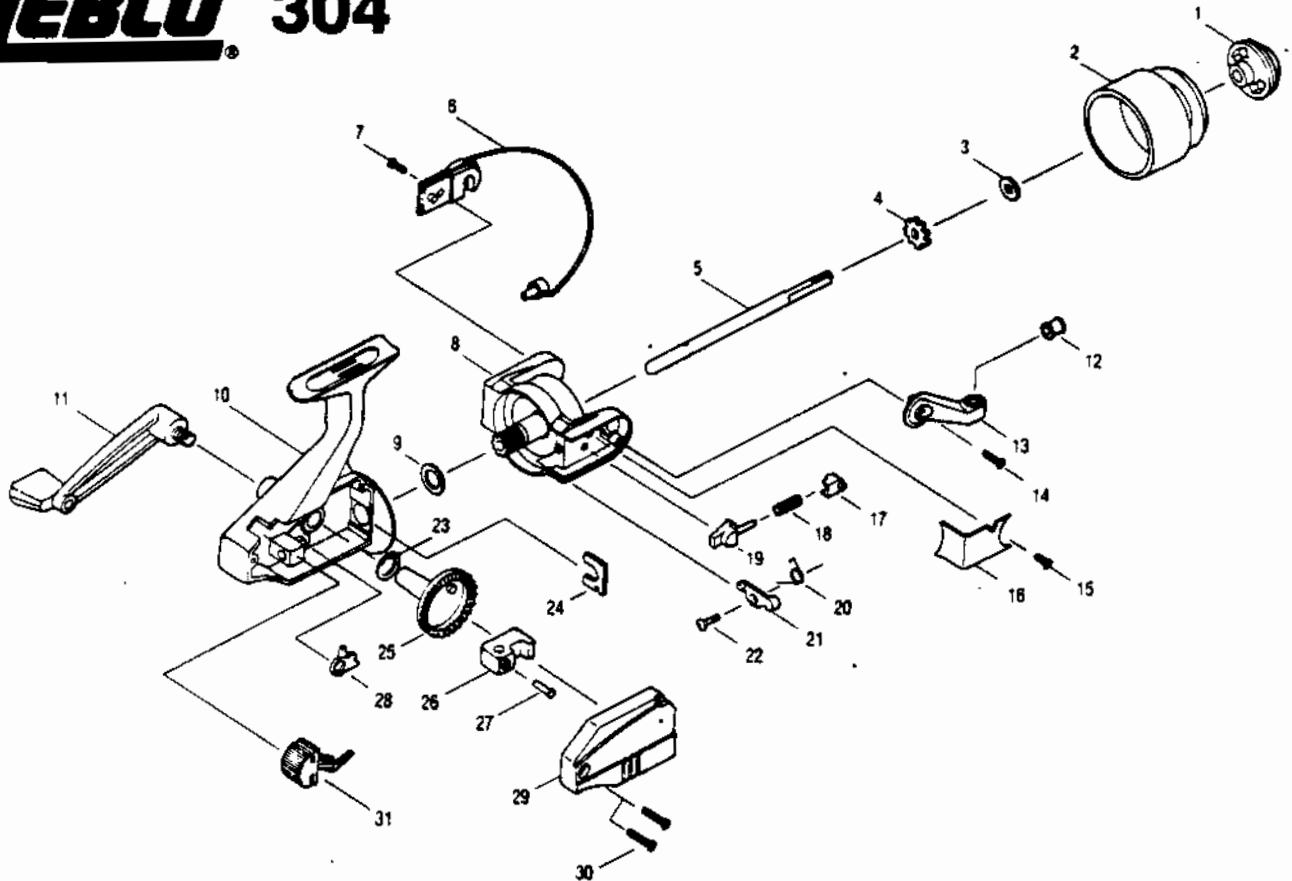


# ZEBCO 304



KEY PART NO.	DESCRIPTION
1 LQ332	DRAG KNOB ASSY.
2 LQ021	SPOOL
3 LQ056	SPOOL WASHER
4 LQ068	CLICK CLAW
5 LQ015	MAIN SHAFT
6 LQ347	BAIL ASSY.
7 LQ048	BAIL HOLDER SCREW
8 LQ309	ROTOR ASSY.
9 LQ024	PINION GEAR WASHER
10 LQ001	BODY
11 LQ318	HANDLE ASSY.
12 LQ004	LINE ROLLER
13 LQ007	ARM LEVER
14 LQ051	ARM LEVER SCREW
15 LQ089	KICK LEVER COVER SCREW
16 LQ087	BAIL SPRING COVER
17 LQ029	KICK LEVER 'B'
18 LQ022	BAIL SPRING
19 LQ020	SPRING HOLDER
20 LQ049	KICK LEVER SPRING
21 LQ019	KICK LEVER
22 LQ037	KICK LEVER SCREW
23 LQ084	CRANK GEAR SHIM
24 LQ006	ROTOR RETAINER
25 LQ012	DRIVE GEAR
26 LQ025	O/S SLIDER
27 LQ062	O/S PIN
28 LQ060	STOPPER
29 LQ023	BODY COVER
30 LQ057	BODY COVER SCREW
31 LQ090	STOPPER LEVER

[WWW.REELDR.COM](http://WWW.REELDR.COM)

Prices subject to change without notice. Prices do not include postage and handling.

**PLEASE ORDER BY PART NUMBER**

Rev. 11/90

Zebco Division Brunswick Corporation, Box 270, Tulsa, OK 74101 USA 918-836-5581

**BC**  
BRUNSWICK