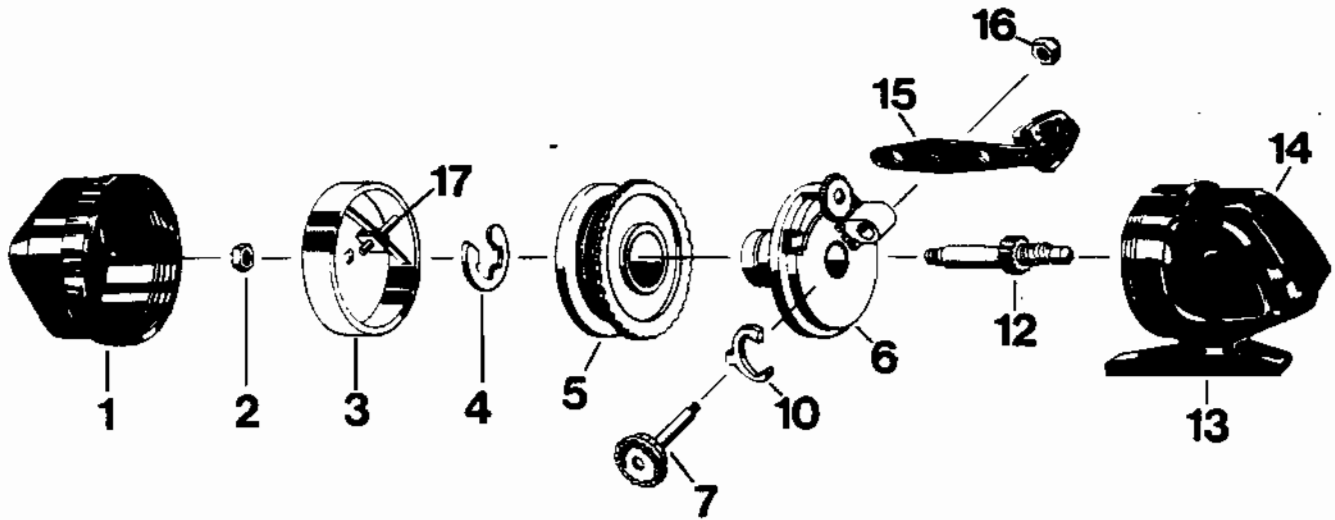


# ZEBCO 303



KEY PART NO. NO.	DESCRIPTION
1 LE324-3	FRONT COVER ASSY.
2 J2006	SPINNER HEAD NUT
3 Z2310	SPINNERHEAD ASS'Y
4 JY034	SPOOL CLIP
5 JY321-8P	WIND SPOOL 8# LINE
6 Z2301	BODY ASSY
7 X2308	CRANK SHAFT SUB-ASSEMBLY
10 X2063	ANTI REVERSE PAWL
12 Z2315	CENTERSHAFT SUBASSEMBLY
13 LE324-3	FRONT COVER ASSY.
14 LE009-2	THUMB BRAKE
15 NY318	CRANK HANDLE S/A
16 A2003	CRANK NUT
17 AE049	PICK-UP PIN SPRING

[WWW.REELDR.COM](http://WWW.REELDR.COM)

Prices subject to change without notice. Prices do not include postage and handling.

**PLEASE ORDER BY PART NUMBER**

Rev. 11/90

Zebco Division Brunswick Corporation, Box 270, Tulsa, OK 74101 USA 918-636-5581

