

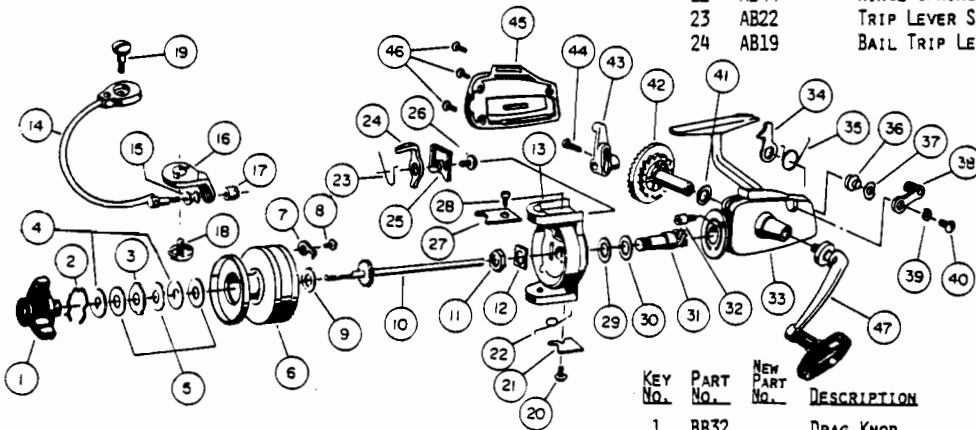
ZEBCO 3020

weight	9.7 oz./276g
pound-test	6 8 10
yards	200 158 118
meters	183 142 108
gear ratio	4:1

*AVAILABLE AS ONE UNIT,
 AB321 Spool Assy.
 NOTE: Key 30 fits inside front of Body,
 Key 29 fits just behind Rotor.

KEY No.	PART No.	DESCRIPTION	KEY No.	PART No.	DESCRIPTION
1	AB32	DRAG KNOB	25	AB24	BAIL LEVER PLATE
2	AB36	*RETAINING SPRING	26	AB84	TRIP LEVER SCREW
3	AB46	*KEY WASHER	27	AB106	BAIL CAM PLATE
4	AB39	*DRAG WASHER	28	AB85	CAM PLATE SCREW
5	AB30	*LEATHER WASHER	29	AB77	ROTOR WASHER
6	AB321	*SPOOL SEE ASSY.	30	AB76	PINION THRUST WASHER
7	AB68	*CLICK	31	AB11	PINION
8	AB110	*CLICK SCREW	32	AB111	BAIL TRIP BOSS
9	AB56	SPOOL SEAT WASHER	33	AB301	BODY
10	AB15	MAIN SHAFT	34	AB63	ANTI-REVERSE PAWL
11	AB6	ROTOR NUT	35	AB61	ANTI-REVERSE SPRING
12	AB65	PINION LOCK WASHER	36	AB60	ANTI-REVERSE CAM
13	AB309	ROTOR	37	AB74	ANTI-REVERSE CAM WASHER
14	AB47	BAIL	38	AB59	ANTI-REVERSE LEVER
15	AB4	LINE ROLLER	39	AB55	ANTI-REVERSE LEVER WSHR.
16	AB7	BAIL HINGE	40	AB80	ANTI-REVERSE LEVER SCREW
17	AB14	BAIL NUT	41	AB26	GEAR WASHER
18	AB51	BAIL HINGE SCREW	42	AB12	MAIN GEAR
19	AB100	BAIL CAM SCREW	43	AB25	OSCILLATOR
20	AB112	HINGE COVER SCREW	44	AB29	OSCILLATOR PIN
21	AB87	HINGE COVER	45	AB23	SIDE COVER
22	AB44	HINGE SPRING	46	AB57	COVER SCREW
23	AB22	TRIP LEVER SPRING	47	AB318	HANDLE ASSY.
24	AB19	BAIL TRIP LEVER			

WWW.REELDR.COM



ZEBCO 3040

weight	13.0 oz./369g
pound-test	10 12 14
yards	270 200 170
meters	247 183 155
gear ratio	4:1

*AVAILABLE AS ONE UNIT,
 BB321 Spool Assy.
 NOTE: Key 30 fits inside front of Body,
 Key 29 fits just behind Rotor.

KEY No.	PART No.	NEW PART No.	DESCRIPTION	KEY No.	PART No.	NEW PART No.	DESCRIPTION
1	BB32		DRAG KNOB	25	BB24		BAIL LEVER PLATE
2	BB36	AB36	*RETAINING SPRING	26	BB84		TRIP LEVER SCREW
3	BB46	AB46	*KEY WASHER	27	BB106		BAIL CAM PLATE
4	BB39	AB39	*DRAG WASHER	28	BB85	AB85	CAM PLATE SCREW
5	BB30	AB30	*LEATHER WASHER	29	BB77		ROTOR WASHER
6	BB21		*SPOOL SEE ASSY.	30	BB76		PINION THRUST WASHER
7	BB68	AB68	*CLICK	31	BB11		PINION
8	BB110	AB110	*CLICK SCREW	32	BB111	AB111	BAIL TRIP BOSS
9	BB56		SPOOL SEAT WASHER	33	BB301		BODY
10	BB15		MAIN SHAFT	34	BB63		ANTI-REVERSE PAWL
11	BB6		ROTOR NUT	35	BB61		ANTI-REVERSE SPRING
12	BB65		PINION LOCK WASHER	36	BB60		ANTI-REVERSE CAM
13	BB9		ROTOR	37	BB74	AB74	ANTI-REVERSE CAM WASHER
14	BB47		BAIL	38	BB59		ANTI-REVERSE LEVER
15	BB4	AB4	LINE ROLLER	39	BB55	AB55	ANTI-REVERSE LEVER WSHR.
16	BB7		BAIL HINGE	40	BB80	AB80	ANTI-REVERSE LEVER SCREW
17	BB14	AB14	BAIL NUT	41	BB26	AB26	GEAR WASHER
18	BB51	AB51	BAIL HINGE SCREW	42	BB12		MAIN GEAR
19	BB100	AB100	BAIL CAM SCREW	43	BB25		OSCILLATOR
20	BB112	AB112	HINGE COVER SCREW	44	BB29	AB29	OSCILLATOR PIN
21	BB87		HINGE COVER	45	BB23		SIDE COVER
22	BB44	AB44	HINGE SPRING	46	BB57	AB57	COVER SCREW
23	BB22	AB22	TRIP LEVER SPRING	47	BB318		HANDLE ASSY.
24	BB19		BAIL TRIP LEVER				