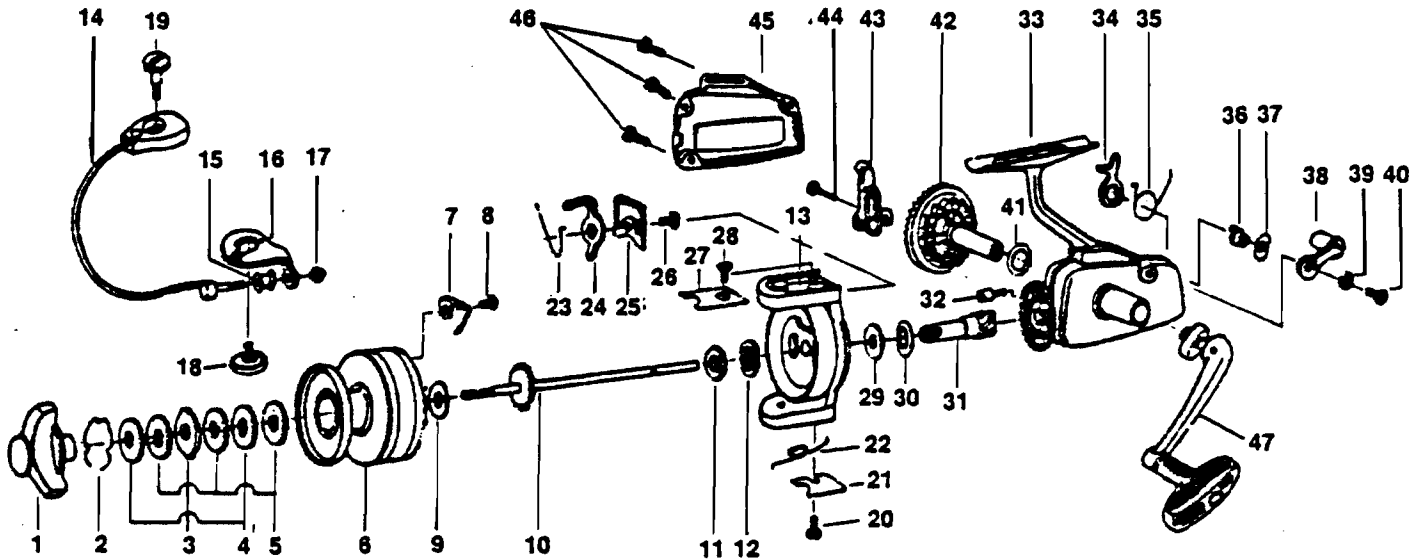


# ZEBCO 3020™

weight	9.7 oz./275g	
pound-test	6	8" 10
yards	200	155 115
meters	183	142 108
gear ratio	4:1	



[WWW.REELDR.COM](http://WWW.REELDR.COM)

KEY No.	PART No.	DESCRIPTION	PRICE	KEY No.	PART No.	DESCRIPTION	PRICE
1	AB32	DRAG KNOB	\$1.75	25	AB24	BAIL LEVER PLATE	\$ .25
2	AB36	*RETAINING SPRING	.25	26	AB84	TRIP LEVER SCREW	.75
3	AB46	*KEY WASHER	.40	27	AB106	BAIL CAM PLATE	.75
4	AB39	*DRAG WASHER	.40	28	AB85	CAM PLATE SCREW	.25
5	AB30	*LEATHER WASHER	.40	29	AB77	ROTOR WASHER	.25
6	AB321	*SPOOL	SEE ASSY.	30	AB76	PINION THRUST WASHER	.25
7	AB68	*CLICK	.45	31	AB11	PINION	3.00
8	AB110	*CLICK SCREW	.25	32	AB111	BAIL TRIP BOSS	.55
9	AB56	SPOOL SEAT WASHER	.25	33	AB301	BODY	3.85
10	AB15	MAIN SHAFT	.95	34	AB63	ANTI-REVERSE PAWL	.75
11	AB6	ROTOR NUT	.55	35	AB61	ANTI-REVERSE SPRING	.55
12	AB65	PINION LOCK WASHER	.25	36	AB60	ANTI-REVERSE CAM	.95
13	AB309	ROTOR	2.15	37	AB74	ANTI-REVERSE CAM WASHER	.25
14	AB47	BAIL	1.60	38	AB59	ANTI-REVERSE LEVER	.75
15	AB4	LINE ROLLER	1.25	39	AB55	ANTI-REVERSE LEVER WSHR.	.25
16	AB7	BAIL HINGE	1.60	40	AB80	ANTI-REVERSE LEVER SCREW	.25
17	AB14	BAIL NUT	1.10	41	AB26	GEAR WASHER	.25
18	AB51	BAIL HINGE SCREW	.80	42	AB12	MAIN GEAR	1.60
19	AB100	BAIL CAM SCREW	.70	43	AB25	OSCILLATOR	.75
20	AB112	HINGE COVER SCREW	.75	44	AB29	OSCILLATOR PIN	.25
21	AB87	HINGE COVER	.55	45	AB23	SIDE COVER	1.85
22	AB44	HINGE SPRING	.55	46	AB57	COVER SCREW	.55
23	AB22	TRIP LEVER SPRING	.45	47	AB318	HANDLE ASSY.	3.85
24	AB19	BAIL TRIP LEVER	1.25				
						*AVAILABLE AS ONE UNIT, AB321 SPOOL ASSY.	4.25

PLEASE ORDER BY PART NUMBER

Zebco Division Brunswick Corporation, Box 270, Tulsa OK 74101 USA 913-835-5531

