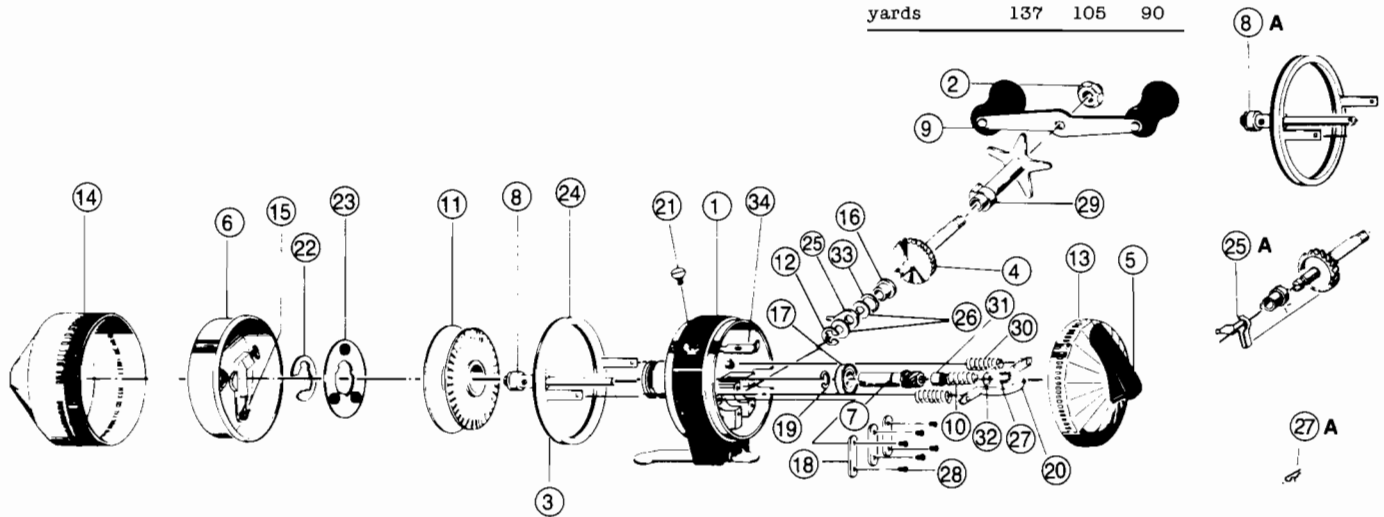


# ZEBCO® 191, 90SR

weight	11.25 oz./319 g		
pound test	12	14	17
yards	137	105	90



## KEY PART

NO. NO.	DESCRIPTION
1 AZ301	BODY SUB-ASSM
2 AZ003	CRANK NUT
3 AZ053	BRAKE RING
4 AZ308	CRANK SHAFT ASSY.
5 AZ309-1	THUMB STOP
6 AZ310	SPINNERHEAD ASSY.
7 AZ311	PINION GEAR RATCHET/SHAFT
8 A AZ315-1	CENTER SHAFT S/A WARRANTY
9 AZ318	CRANK HANDLE SUB ASSEMBLY
10 AZ020	CENTER SHAFT SPRING
11 AZ021	SPOOL
11 AZ321-14H	SPOOL/14# HI PERF
12 AZ122	RETAINER CLIP
13 AZ323-2	BACK COVER S/A
14 AZ324-2	1916 FRTCOVER SUBASSEMBLY
15 JY049	PICKUP PIN ARM SPRING
16 AZ026	CRANK BEARING
17 AZ028	BALL BEARING

## KEY PART

NO. NO.	DESCRIPTION
18 AZ029	BEARING RETAINER
19 F2030	RETAINER CLIP
20 AZ331	BRAKE BAR ASSY.
21 LZ055	COVER LOCK SCREW
22 6Z034	SPOOL RETAINER CLIP
23 AZ040	SPOOL WASHER
24 AZ346	BRAKE RING RETAINER
25 A AZ052	ANTI-REVERSE DRAG
25 1Z052	ANTI REVERSE DRAG
26 AZ054	ANTI-REV. DRAG WASHER
27 A AZ124	HITCH CLIP
27 AZ123	SHAFT CLIP
28 AZ057	SCREW
29 AZ032	CAM SHAFT
30 AZ073	BRAKE RING RET SPRING
31 AZ078	CENTER SHAFT SPACER
32 EZ073	CLIP RETAINER
33 AZ141	COMPRESS. SPRING
34 AZ056	COVER LOCK

[WWW.REELDR.COM](http://WWW.REELDR.COM)

NOTE: The following parts may be used on reels manufactured after 1982: Key Nos. 12, 25, 26, and 33 replaced with Key Nos. 25a and Key Nos. 8, 32, and 27 replaced with Key Nos. 8a and 27a.

Prices subject to change without notice. Prices do not include postage and handling.

**PLEASE ORDER BY PART NUMBER**

Rev. 9/88

Zebco Division Brunswick Corporation, Box 270, Tulsa, OK 74101 USA 918-836-5581

