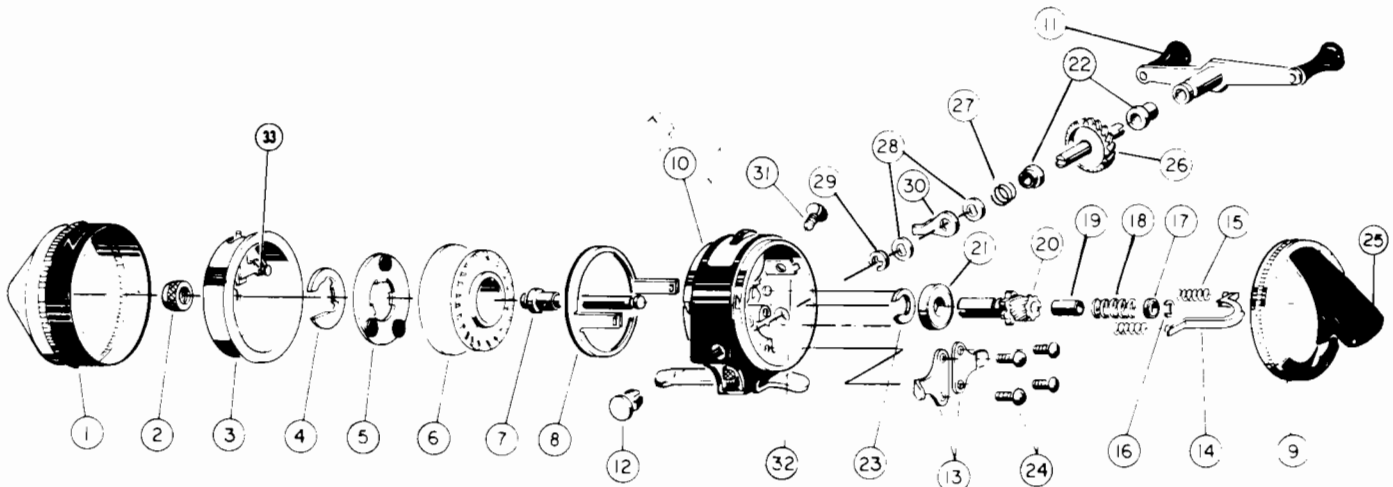


# ZEBCO 181™, 80SR™

(33XBL)

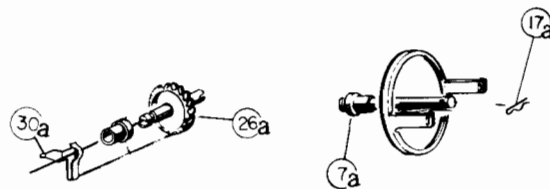
weight	10.5 oz./298 g		
pound test	8	10	12
yards	115	100	90



**NOTE:** The following parts may be used on reels manufactured after 1982:

Key Nos. 26, 27, 28, 29, and 30 replaced with Key No. 30a.

Key Nos. 7, 16, and 17 replaced with Key No.'s 7a and 17a.



**KEY PART**

NO. NO.	DESCRIPTION
1 IZ324-2	FRONT COVER S/A
2 AZ006	SPNR HEAD NUT
3 IZ310	SPINNER HEAD SUB-ASSEMBLY
4 GZ034	SPOOL RETAINER CLIP
5 AZ040	SPOOL WASHER
6 IZ021	SPOOL
6 IZ321-10H	WOUND SPOOL 10#
7A AZ315-1	CENTER SHAFT S/A WARRANTY
8 IZ346	BRAKE RING SUB-ASSEMBLY
9 IZ323-1	BACK COVER S/A (SV)
9 IZ323-2	BACK COVER S/A
9 IZ323-3	BACK COVER S/A (SR)
10 IZ301-1	BODY ASSY. (SV)
10 IZ301-2	BODY ASSY
10 IZ301-3	BODY ASSY. (SR)
11 IZ318	CRANK HANDLE S/A
12 IZ074	CLOSURE CAP
13 IZ029	BEARING RETAINER
14 IZ331	BRAKE BAR
15 AZ073	BRAKE RING RET SPRING

**KEY PART**

NO. NO.	DESCRIPTION
16 AZ123	SHAFT CLIP
17A AZ124	HITCH CLIP
17 BZ073	CLIP RETAINER
18 IZ020	CENTER SHAFT SPRING
19 AZ078	CENTER SHAFT SPACER
20 AZ311	PINION GEAR RATCHET/SHAFT
21 AZ028	BALL BEARING
22 AZ026	CRANK BEARING
23 FZ030	RETAINER CLIP
24 AZ057	SCREW
25 IZ309-1	THUMB BRAKE SUB ASSEMBLY
26A IZ308	CRANK SHAFT S/A
27 AZ141	COMPRESS. SPRING
28 AZ054	ANTI-REV. DRAG WASHER
29 AZ123	SHAFT CLIP
30A AZ052	ANTI-REVERSE DRAG
30 IZ052	ANTI REVERSE DRAG
31 IZ055	COVER LOCK SCREW
32 IZ056	COVER LOCK
33 JY049	PICKUP PIN ARM SPRING

[WWW.REELDR.COM](http://WWW.REELDR.COM)

Prices subject to change without notice. Prices do not include postage and handling.

**PLEASE ORDER BY PART NUMBER**

Rev. 9/88

Zebco Division Brunswick Corporation, Box 270, Tulsa, OK 74101 USA 918-836-5581

