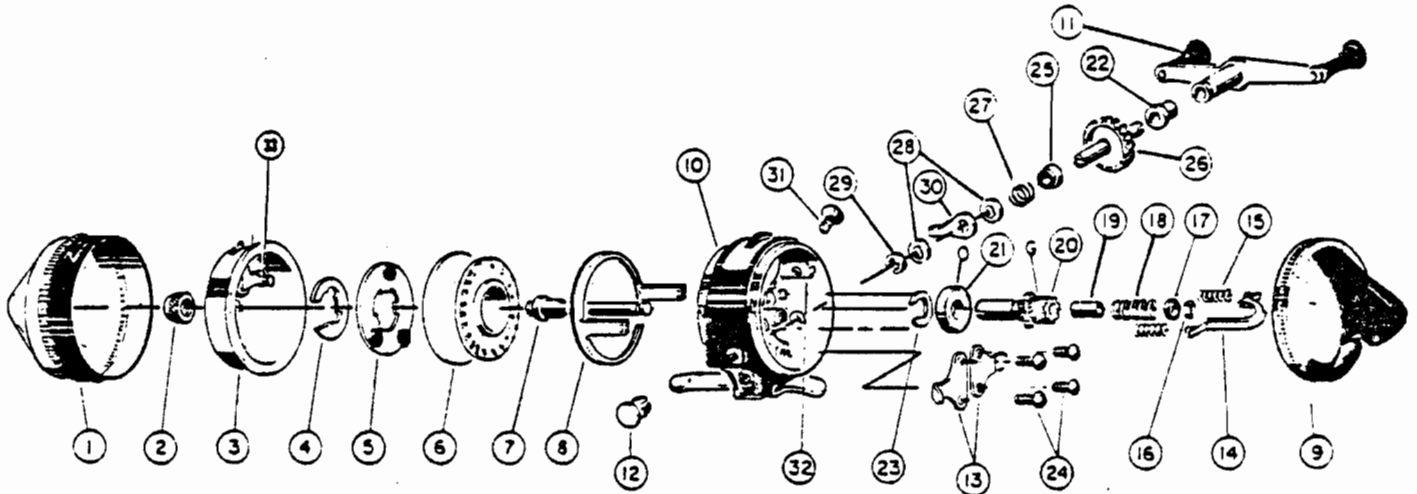


# ZEBCO 181™

( 33XBL)

weight	10.5 oz/298 g
pound test	8 10 12
yards	115 100 90
meters	105 91 82



[WWW.REELDR.COM](http://WWW.REELDR.COM)

KEY No.	PART No.	DESCRIPTION	PRICE	KEY No.	PART No.	DESCRIPTION	PRICE
1	IZ24//SA	FRONT COVER	\$3.60	17	GZ73/1	CLIP RETAINER	\$ .25
2	AZ6/2	SPINNER HEAD NUT	.35	18	IZ20/0	CENTER SHAFT SPRING	.25
3	IZ10//SA	SPINNER HEAD	3.90	19	AZ78/1	CENTER SHAFT SPACER	.25
4	GZ34//THT	RETAINER CLIP	.30	20	AZ11//TP	PINION GEAR	6.35
5	AZ40//SA	SPOOL WASHER	.60	21	AZ28/0	BALL BEARING	3.35
6	IZ21//CP	SPOOL (EMPTY)	2.45	22	AZ26/3	CRANK BEARING	.30
7	IZ15//SA	CENTER SHAFT ASSY.	1.20	23	PZ30/A	RETAINER CLIP	.25
8	IZ46//SA	BRAKE RING RETAINER	1.45	24	AZ57/1	RETAINER SCREW	.25
9	IZ23//SA	BACK COVER	3.60	25	AZ26/3	*CRANK BEARING	.30
10	IZ1//SA	BODY	7.30	26	IZ8-1//SA	*CRANK SHAFT	SEE ASSY.
11	IZ18-1//SA	HANDLE	2.50	27	AZ141/0	*COMPRESSION SPRING	.35
12	IZ3-2//TP	CAP NUT	.35	28	AZ54/0	*ANTI-REVERSE DRAG WSHR.	.25
13	IZ29//CP	BEARING RETAINER	.35	29	AZ123/0	*RETAINER CLIP	.35
14	IZ31//SA	BRAKE BAR	1.05	30	IZ52//CP	*ANTI-REVERSE DRAG	.25
15	AZ73/1	BRAKE RING RET. SPRING	.25	31	LZ55/B	COVER LOCK SCREW	.25
16	AZ123/0	CONTROL SHAFT CLIP	.35	32	IZ56/0	COVER LOCK	.30
				33	PZ49/1	SPINNER HEAD SPRING	.35

\*AVAILABLE AS ONE UNIT,

IZ8-1//SA CRANK SHAFT ASSY.

3.05

PLEASE ORDER BY PART NUMBER

Zebco Division Brunswick Corporation, Box 270, Tulsa OK 74101 USA 918-836-5581

