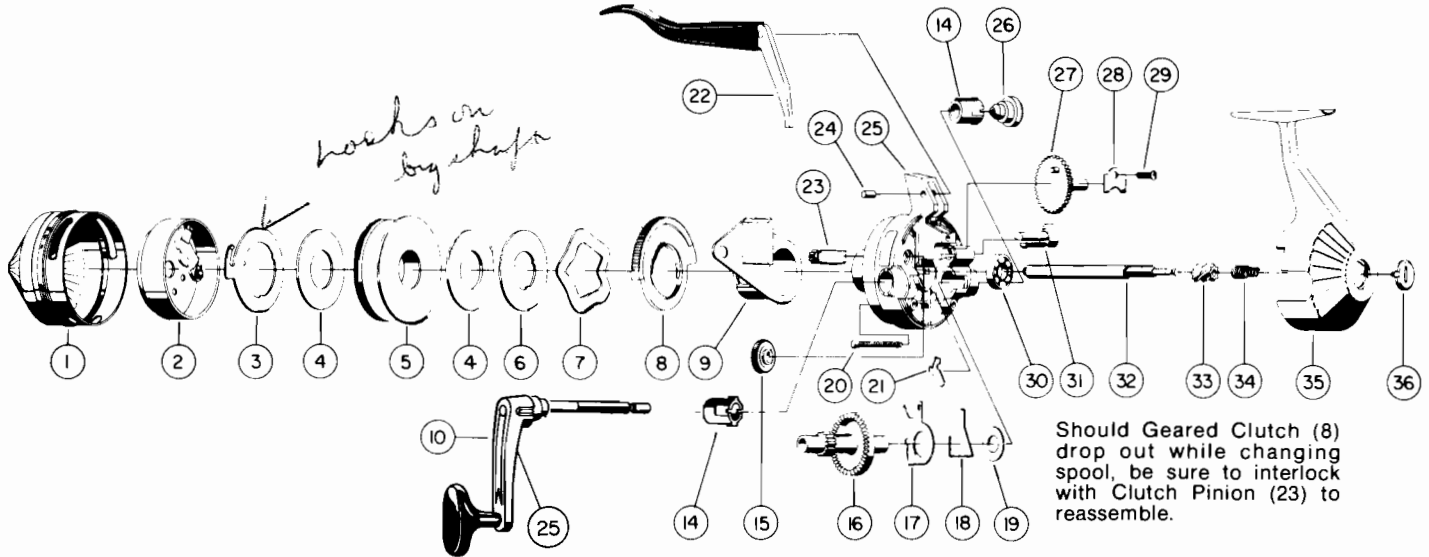


ZEBCO 164™, 60SR™

CLOSED-FACE SPINNING REEL

weight	15.5 oz./440 g		
pound test	12	14	17
yards	180	165	125
meters	165	151	114
gear ratio	3.5:1		



KEY PART

NO. NO.	DESCRIPTION
1 DJ324-1	F/C ASSY (SILVER)
1 DJ324-2	F/C ASSY (BLACK)
1 DJ324-3	F/C ASSY (GOLD)
1 DJ324-4	F/C ASSY (STERLING)
2 DJ310	SPINNER HEAD S/A
3 DJ034	SPOOL CLIP
4 DJ108	FLAT WASHER
5 DJ021	SPOOL
5 DJ321-17H	WOUND SPOOL 17# LINE
6 DJ040	SPOOL WASHER
7 DJ027	CLUTCH RING
8 DJ197	GEARED CLUTCH
9 DJ189	SPOOL CARRIER
10 DJ318-3	CRANK HANDLE ASSY
14 CJ026	CRANK BEARING
15 DJ032	CLUTCH WHEEL
16 DJ012	CRANK GEAR
17 CJ014	ANTI-REVERSE DRAG
18 CJ061	ANTI-REVERSE PAWL SPRING

KEY PART

NO. NO.	DESCRIPTION
19 CJ106	FLAT WASHER
20 DJ126	MACHINE SCREW
21 CJ060	ANTI-REVERSE PAWL
22 DJ350	FINGER BRAKE S/A
23 DJ054	CLUTCH PINION
24 CJ172	FINGER BRAKE PIN
25 DJ301-2	BODY ASSY W/BEARING
26 DJ769-1	CRANK ROD NUT
27 DJ190	OSCILLATOR GEAR
28 DJ199	RETAINER, OSCILLATOR GEAR
29 AJ057	RETAINER SCREW
30 AZ028	BALL BEARING
31 DJ002	ANTI-REVERSE ACTUATOR
32 DJ015	CENTER CHAFT
33 CJ011	PINION GEAR
34 DJ020	CENTER SHAFT SPRING
35 DJ023	BACK COVER BK POWDER COAT
36 DJ075	BACK CAP

*Available as One Unit

DJ315 CENTER SHAFT SA

WWW.REELDR.COM

Prices subject to change without notice. Prices do not include postage and handling.

PLEASE ORDER BY PART NUMBER

Rev. 9/88

Zebco Division Brunswick Corporation, Box 270, Tulsa, OK 74101 USA 918-836-5581

