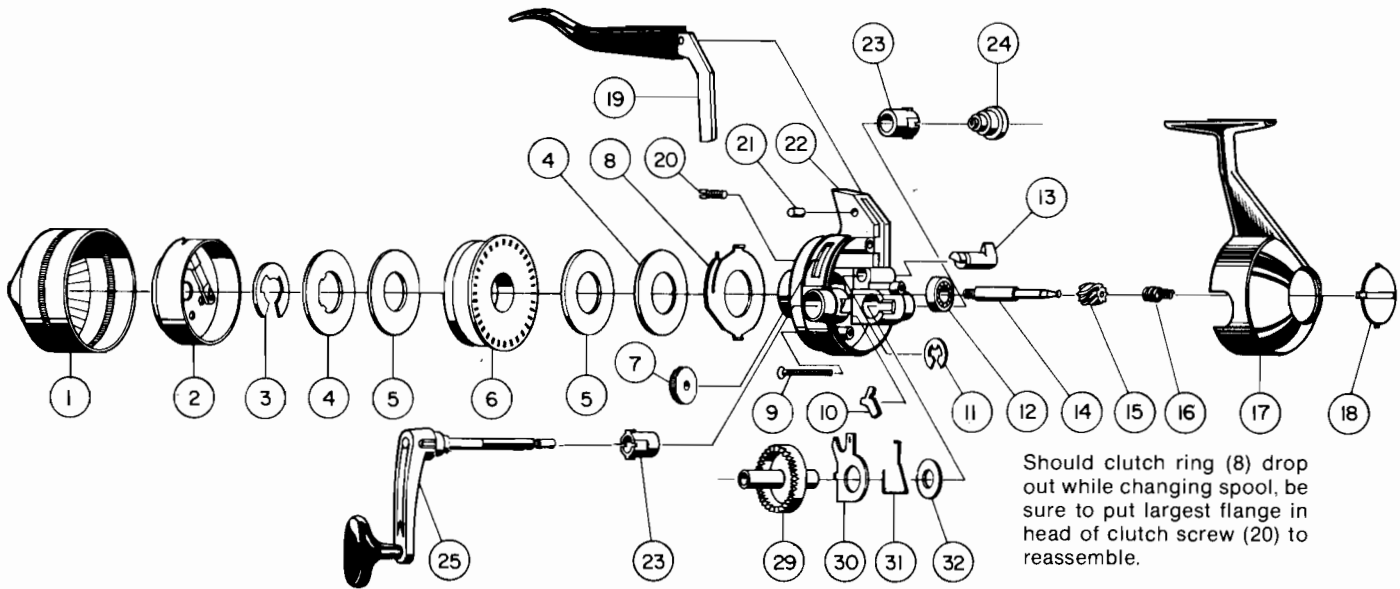


ZEBCO 154™, 50SR™

CLOSED-FACE SPINNING REEL

weight	10.5 oz./298 g		
pound test	8	10	12
yards	120	110	90
gear ratio	3.5:1		



Should clutch ring (8) drop out while changing spool, be sure to put largest flange in head of clutch screw (20) to reassemble.

KEY PART

NO. NO.	DESCRIPTION
1 CJ324-1	F/C ASSY (SILVER)
1 CJ324-3	F/C ASSY (GOLD)
2 CJ310	SPINNERHEAD ASSEMBLY
3 6Z034	SPOOL RETAINER CLIP
4 CJ040	SPOOL WASHER
5 CJ108	FLAT WASHER
6 CJ021	SPOOL
6 CJ321-10H	WOUND SPOOL 10#
7 CJ032	CLUTCH WHEEL
8 CJ027	CLUTCH RING
9 CJ126	MACHINE SCREW
10 CJ060	ANTI-REVERSE PAWL
11 BJ121	RETAINER CLIP
12 AZ028	BALL BEARING
13 CJ002	ANTI-REVERSE ACTUATOR
*14 CJ015	CENTER SHAFT

KEY PART

NO. NO.	DESCRIPTION
*15 CJ011	PINION GEAR
*16 DJ020	CENTER SHAFT SPRING
17 CJ023	BACK COVER
18 DJ075	BACK CAP
19 CJ350	FINGER BRAKE S/A
20 BJ054	CLUTCH SCREW
21 CJ172	FINGER BRAKE PIN
22 CJ301-2	BODY SUB-ASSY.
23 CJ026	CRANK BEARING
24 DJ769-1	CRANK ROD NUT
25 CJ318-2	HANDLE ASSY. (GOLD)
29 CJ012	CRANK GEAR
30 CJ014	ANTI-REVERSE DRAG
31 CJ061	ANTI-REVERSE PAWL SPRING
32 CJ106	FLAT WASHER

*Available as One Unit

CJ315 CENTER SHAFT SA

WWW.REELDR.COM

Prices subject to change without notice. Prices do not include postage and handling.

PLEASE ORDER BY PART NUMBER

Rev. 9/88

Zebco Division Brunswick Corporation, Box 270, Tulsa, OK 74101 USA 918-836-5581

