

ZEBCO 144™ (Silver)

CLOSED-FACE SPINNING REEL

weight	3.7 oz./105 g
pound test	4 6 8
yards	55 60 45
meters	78 55 41
gear ratio	4.1:1

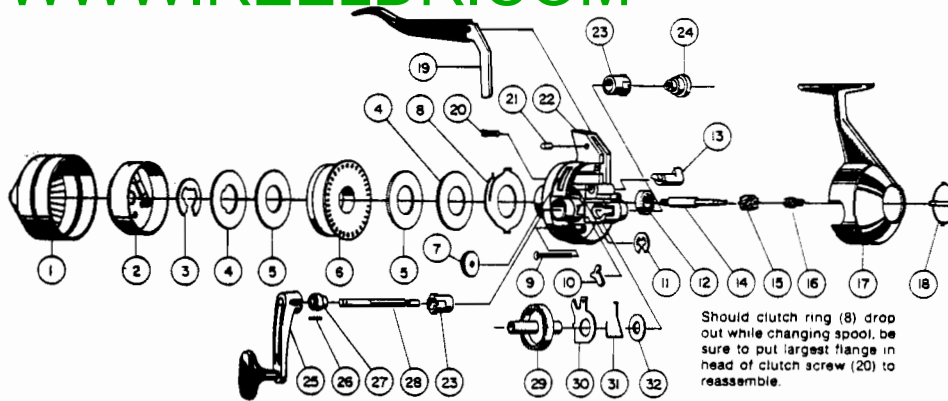
Should clutch ring (10) drop out while changing spool, be sure to put largest flange in head of clutch screw (25) to reassemble.

MODEL 144 (Silver)

Key No.	Part No.	Description	Key No.	Part No.	Description
1	BJ324-1	Front Cover (Silver)	17	BJ023-2	Back Cover (black)
	BJ324-2	Front Cover (Black)	18	AJ049	Spinner Head Spring
2	AJ006	Spinner Head Nut	19	BJ318-1	Handle Assembly (S)
3	AJ310	Spinner Head Assy.	20	BJ026	Crank Bearing
4	XZ034	Spool Clip	21	AJ055	Cover Lock Screw
5	BJ040	Spool Washer	22	BJ056	Cover Lock Nut
6	BJ108	Flat Washer	23	BJ060	Anti-Reverse Pawl
7	AJ021	Spool (Empty)	24	BJ050	Finger Brake
	AJ321-6T	Spool 2/6# Trilene	25	BJ054	Clutch Screw
8	BJ108	Flat Washer	26	BJ032	Clutch Wheel
9	BJ040	Spool Washer	27	BJ301-1	Body (S) w/Bearing
10	BJ027	Clutch Ring	28	BJ126	Finger Brake Screw
11	BJ026	Crank Bearing	29	BJ002	Anti-Reverse Actuator
12	BJ069	Crank Rod Nut	30	BJ121	Retainer Clip
13	BJ012	Crank Gear	31	BJ017	Center Shaft Bearing
14	BJ014	Anti-Reverse Drag	32	BJ015	*Center Shaft
15	BJ061	Anti-Rev. Pawl Spring	33	BJ011	*Pinion Gear
16	BJ106	Thrust Washer	34	BJ020	*Center Shaft Spring
17	BJ023-1	Back Cover (Silver)			

WWW.REELDR.COM

*Available as One Unit, BJ315 Center Shaft Assy.



ZEBCO 154™ (Silver)

CLOSED-FACE SPINNING REEL

weight	10.5 oz./298 g
pound test	8 10 12
yards	120 110 90
meters	110 101 82
gear ratio	3.8:1

Should clutch ring (8) drop out while changing spool, be sure to put largest flange in head of clutch screw (20) to reassemble.

MODEL 154 (Silver)

Key No.	Part No.	Description	Key No.	Part No.	Description
1	CJ324-1	Front Cover (Silver)	16	DJ020	*Center Shaft Spring
	CJ324-2	Front Cover (Black)	17	CJ023	Back Cover
2	CJ310	Spinner Head	18	DJ075	Back Cap
3	GZ034	Retainer Clip	19	CJ350	Finger Brake
4	CJ040	Spool Washer	20	BJ054	Clutch Screw
5	CJ108	Flat Washer	21	CJ172	Finger Brake Pin
6	CJ021	Spool (Empty)	22	CJ301-1	Body Assy (S)w/Bearing
	CJ321-10T	Spool w/10# Trilene	23	CJ026	Crank Bearing
7	CJ032	Clutch Wheel	24	DJ069	Crank Rod Nut
8	CJ027	Clutch Ring	25	CJ318-1	(S) Crank Handle(25-28)
9	CJ126	Machine Screw	26	CJ171	Crank Handle Pin
10	CJ060	Anti-Reverse Pawl	27	DJ068	Crank Rod Spacer
11	BJ121	Retaining Clip	28	CJ067	Crank Rod
12	AZ028	Ball Bearing	29	CJ012	Crank Gear
13	CJ002	Anti-Reverse Actuator	30	CJ014	Anti-Reverse Drag
14	CJ015	*Center Shaft	31	CJ061	Anti-Rev. Pawl Spring
15	CJ011	*Pinion Gear	32	CJ106	Washer

*Available as One Unit, CJ315 Center Shaft Assy.