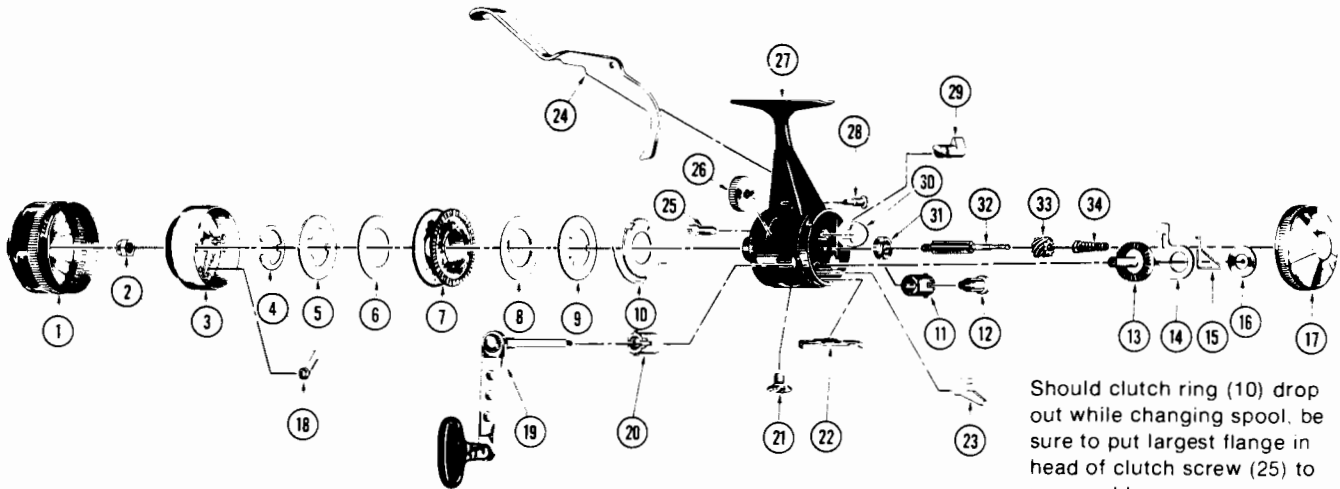


ZEBCO 144™ (Silver)

CLOSED-FACE SPINNING REEL

weight	3.7 oz./105 g		
pound test	4	6	8
yards	85	60	45
meters	78	55	41
gear ratio	4.1:1		



Should clutch ring (10) drop out while changing spool. be sure to put largest flange in head of clutch screw (25) to reassemble.

WWW.REELDR.COM

MODEL 144 (Silver)

Key No.	Part No.	Description
1	BJ324-1	Front Cover (Silver)
	BJ324-2	Front Cover (Black)
2	AJ006	Spinner Head Nut
3	AJ310	Spinner Head Assy.
4	XZ034	Spool Clip
5	BJ040	Spool Washer
6	BJ108	Flat Washer
7	AJ021	Spool (Empty)
	AJ321-6T	Spool 2/6# Trilene
8	BJ108	Flat Washer
9	BJ040	Spool Washer
10	BJ027	Clutch Ring
11	BJ026	Crank Bearing
12	BJ069	Crank Rod Nut
13	BJ012	Crank Gear
14	BJ014	Anti-Reverse Drag
15	BJ061	Anti-Rev. Pawl Spring
16	BJ106	Thrust Washer
17	BJ023-1	Back Cover (Silver)

Key No.	Part No.	Description
17	BJ023-2	Back Cover (black)
18	AJ049	Spinner Head Spring
19	BJ318-1	Handle Assembly (S)
20	BJ026	Crank Bearing
21	AJ055	Cover Lock Screw
22	BJ056	Cover Lock Nut
23	BJ060	Anti-Reverse Pawl
24	BJ050	Finger Brake
25	BJ054	Clutch Screw
26	BJ032	Clutch Wheel
27	BJ301-1	Body (S) w/Bearing
28	BJ126	Finger Brake Screw
29	BJ002	Anti-Reverse Actuator
30	BJ121	Retainer Clip
31	BJ017	Center Shaft Bearing
32	BJ015	*Center Shaft
33	BJ011	*Pinion Gear
34	BJ020	*Center Shaft Spring

*Available as One Unit, BJ315 Center Shaft Assy.

PLEASE ORDER BY PART NUMBER

